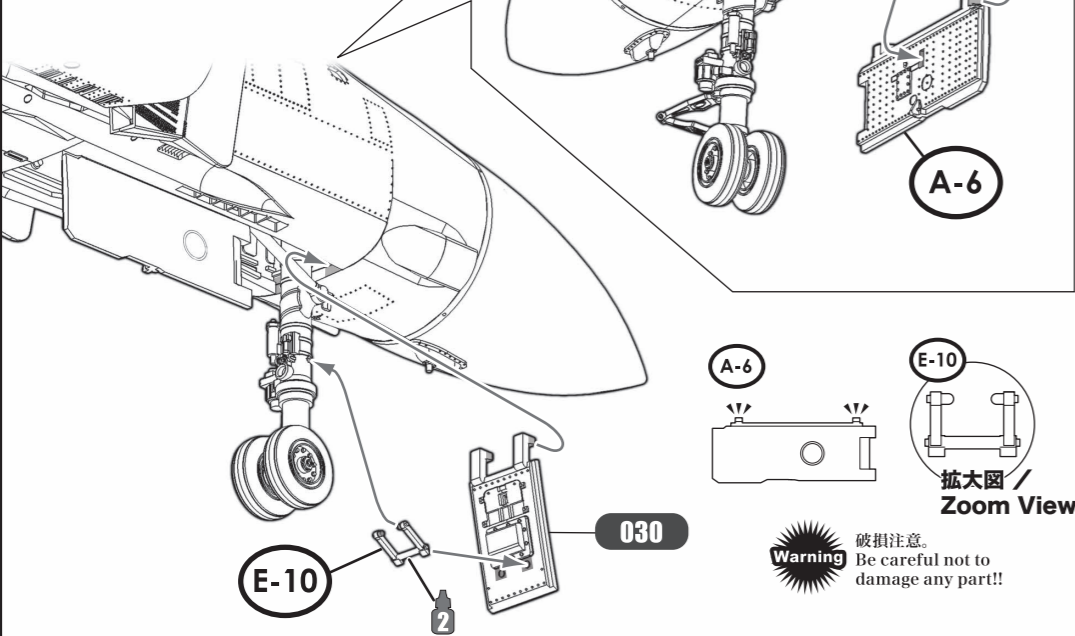
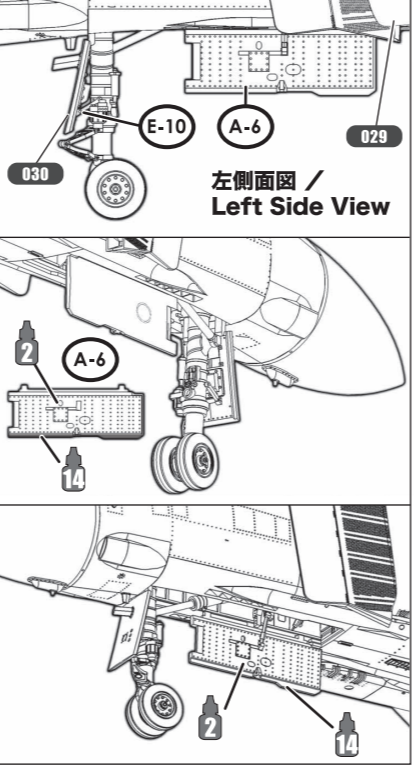


### 031 前脚格納庫扉 Nose Landing Gear Door

■ 接着位置  
Cementing position

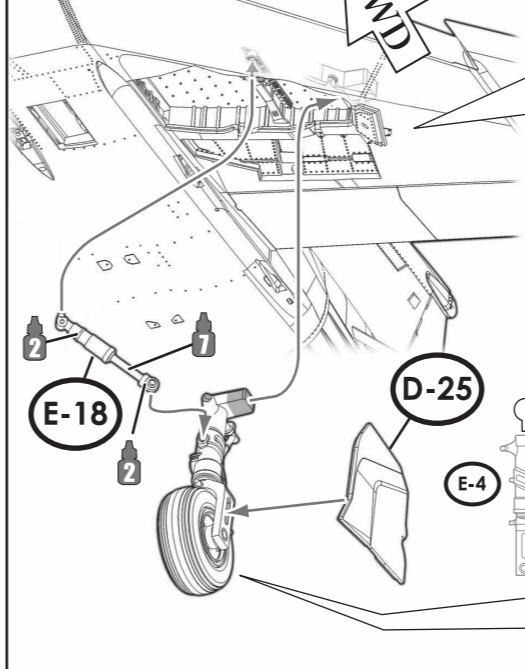


各パーツ接着位置  
Parts configuration after assembly.

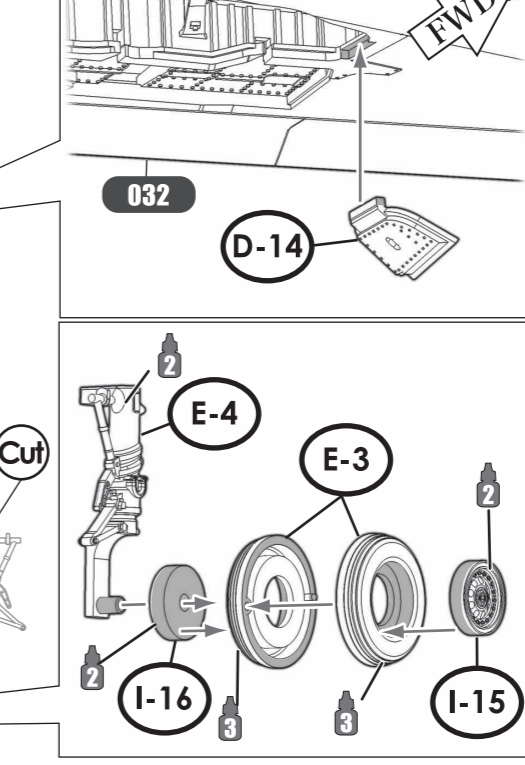


### 033 主脚(左側) Main Landing Gear (Left)

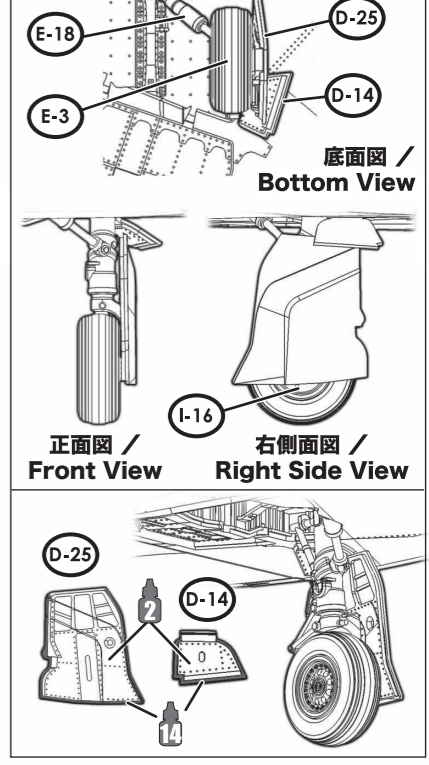
■ 接着位置  
Cementing position



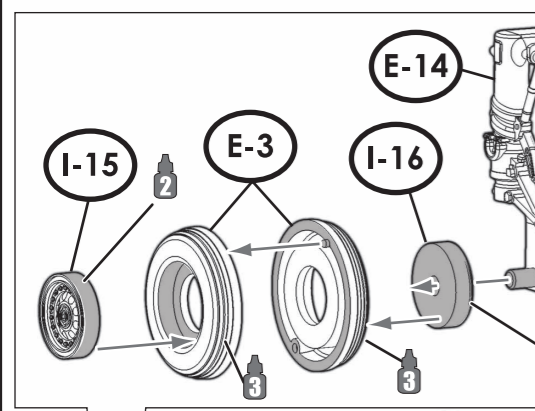
各パーツ接着位置  
Parts configuration after assembly.



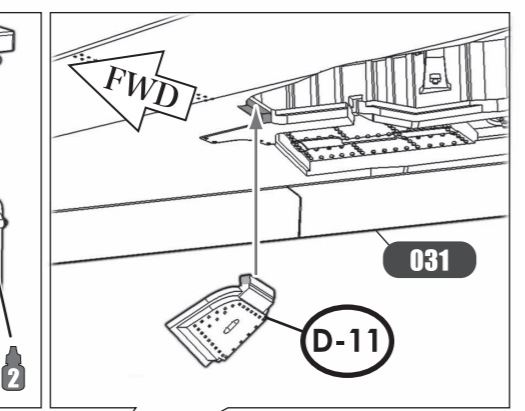
各パーツ接着位置  
Parts configuration after assembly.



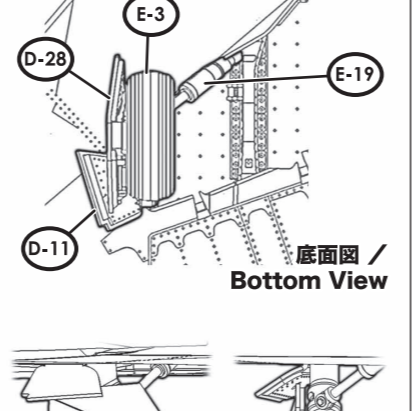
### 032 主脚(右側) Main Landing Gear (Right)



■ 接着位置  
Cementing position

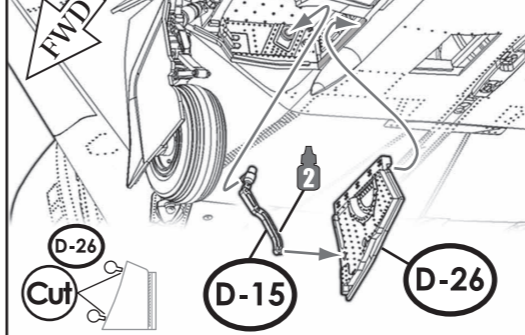


各パーツ接着位置  
Parts configuration after assembly.

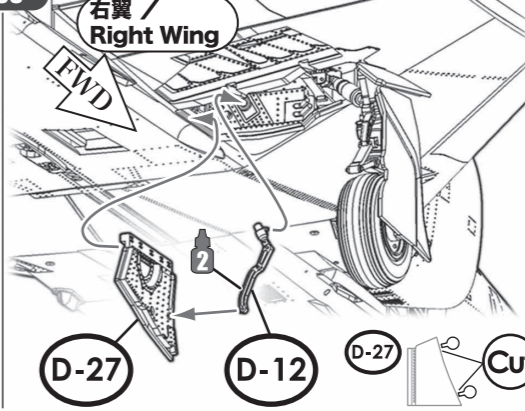


### 034 主脚格納庫扉 Main Landing Gear Doors

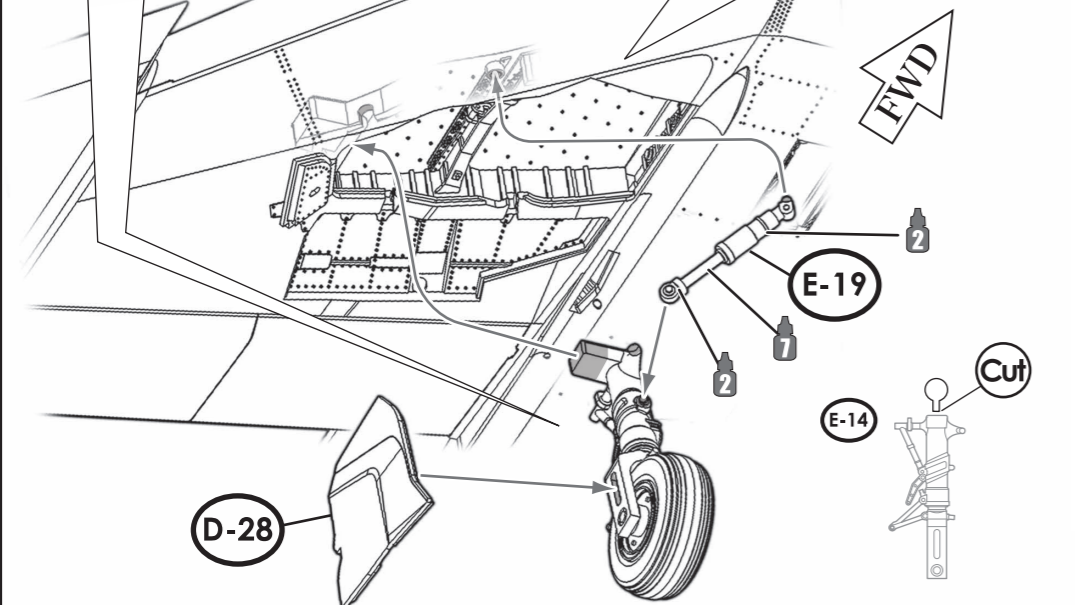
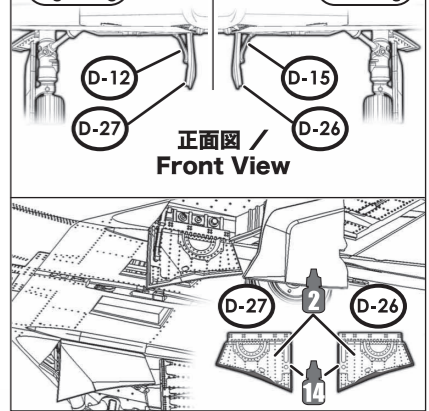
■ 接着位置  
Cementing position



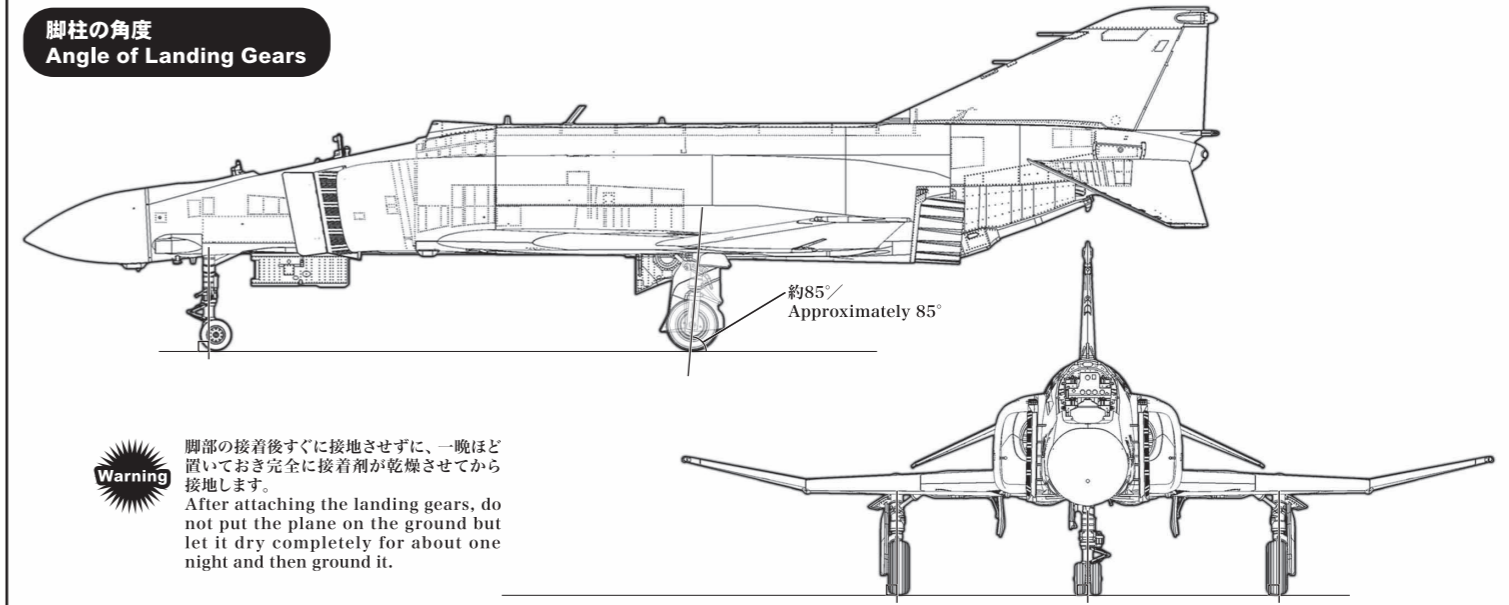
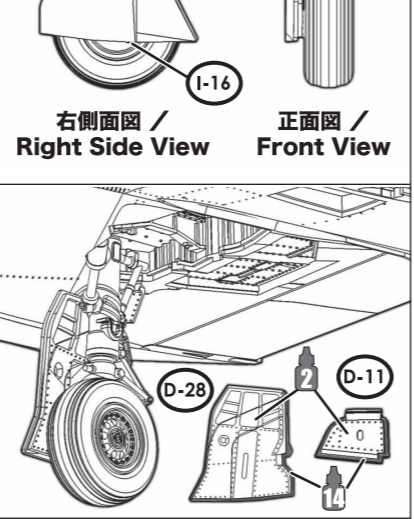
■ 接着位置  
Cementing position



各パーツ接着位置  
Parts configuration after assembly.



### 脚柱の角度 Angle of Landing Gears



**Warning** 脚部の接着後すぐに接地させずに、一晩ほど置いておき完全に接着剤が乾燥させてから接地します。  
After attaching the landing gears, do not put the plane on the ground but let it dry completely for about one night and then ground it.