

# 1 Cockpit

This is the supplement of 3-2C to E in the kit manual.

**Attention!!**

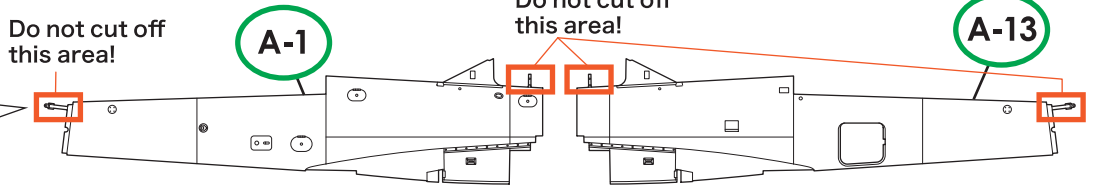
Please be very careful not cutting off important areas!

Enlarged image

Carefully remove the gate and shape as in imaged. (A-13 also)

Do not cut off this area!

Do not cut off this area!

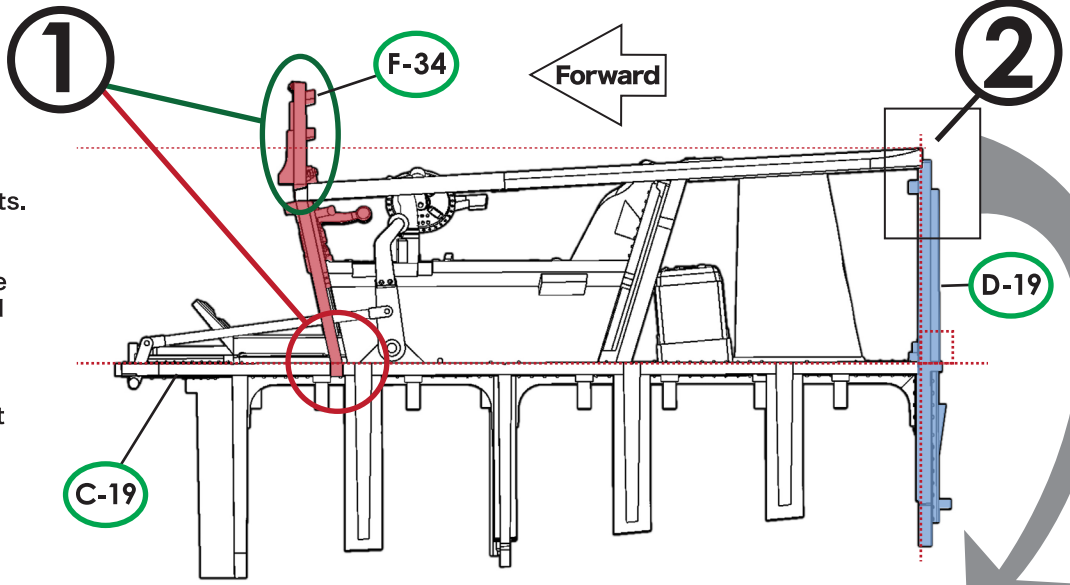


## Side view of Cockpit section.

The image shows correct position of major cockpit parts.

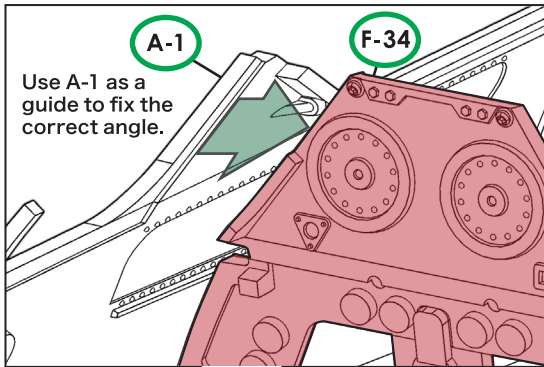
Use A-1 or A-13 as assemble jig without gluing to check the parts are in correct angle and position.

This page explains F-34 and D-19, where angle adjustment is crucial.



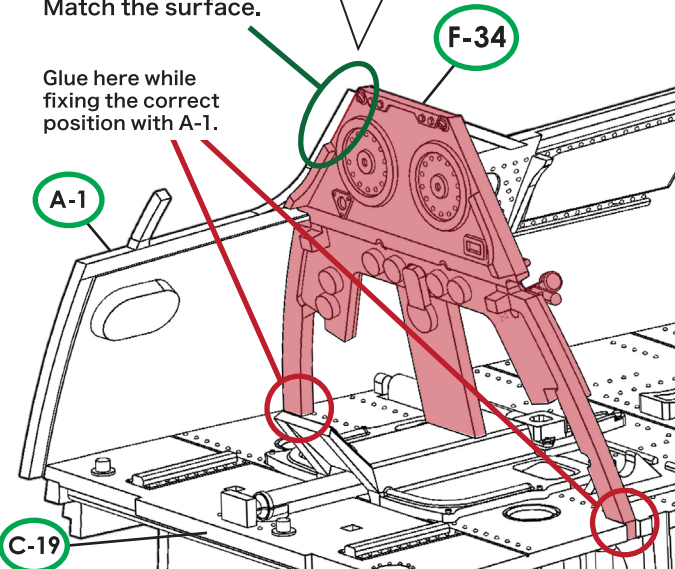
## 1 Fixing the angle of F-34.

Use A-1 as a guide to fix the correct angle.



Match the surface.

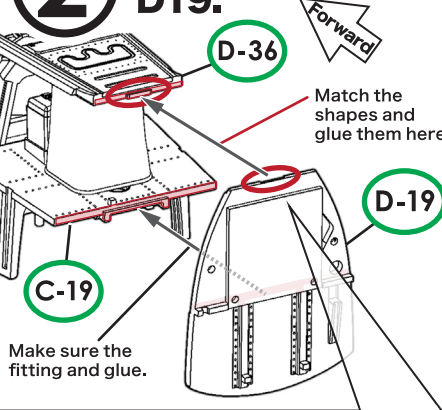
Glue here while fixing the correct position with A-1.



## 2 Where to attach D19.

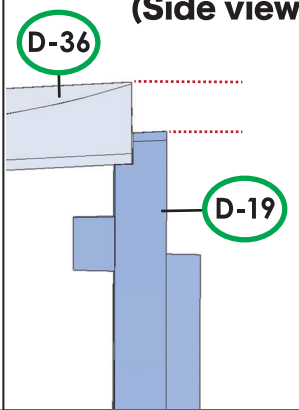
Forward

Match the shapes and glue them here.



Make sure the fitting and glue.

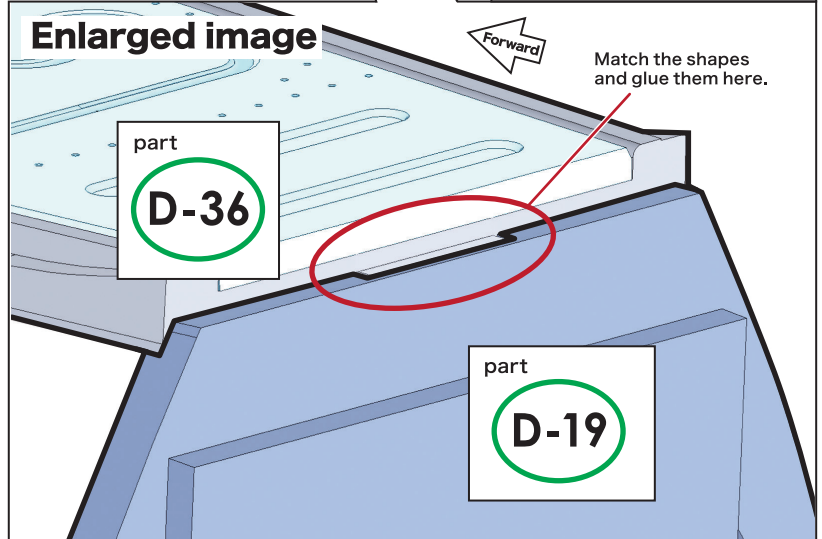
Enlarged image (Side view)



Enlarged image

Forward

Match the shapes and glue them here.



Also use A-1 (A-13) to make sure D-19 is in the correct angle.