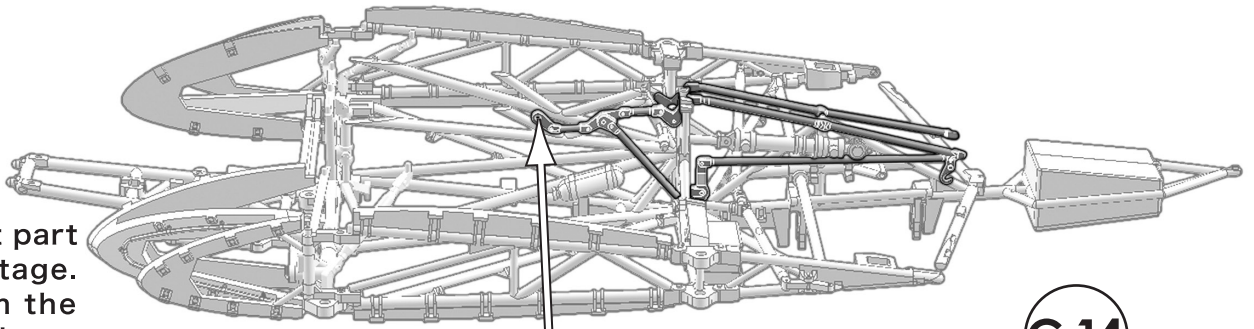


Illustration

1

Do not cement part C-14 at that stage. Test-fit it with the left frame as shown in the illustration.



C-14

A

Cement to the cockpit-side frame (B-20), (shown in the illustration 3).

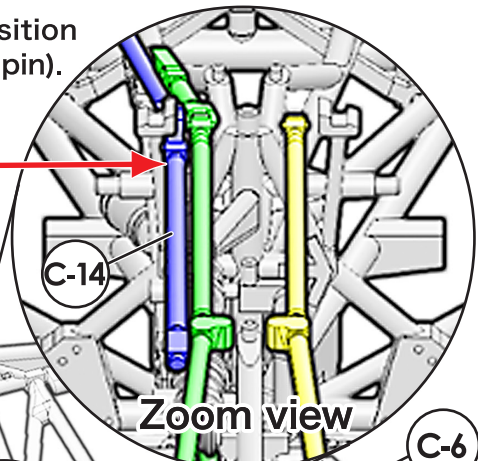
B

Cement to the upper frame (B-21). (Shown in the illustration 2)

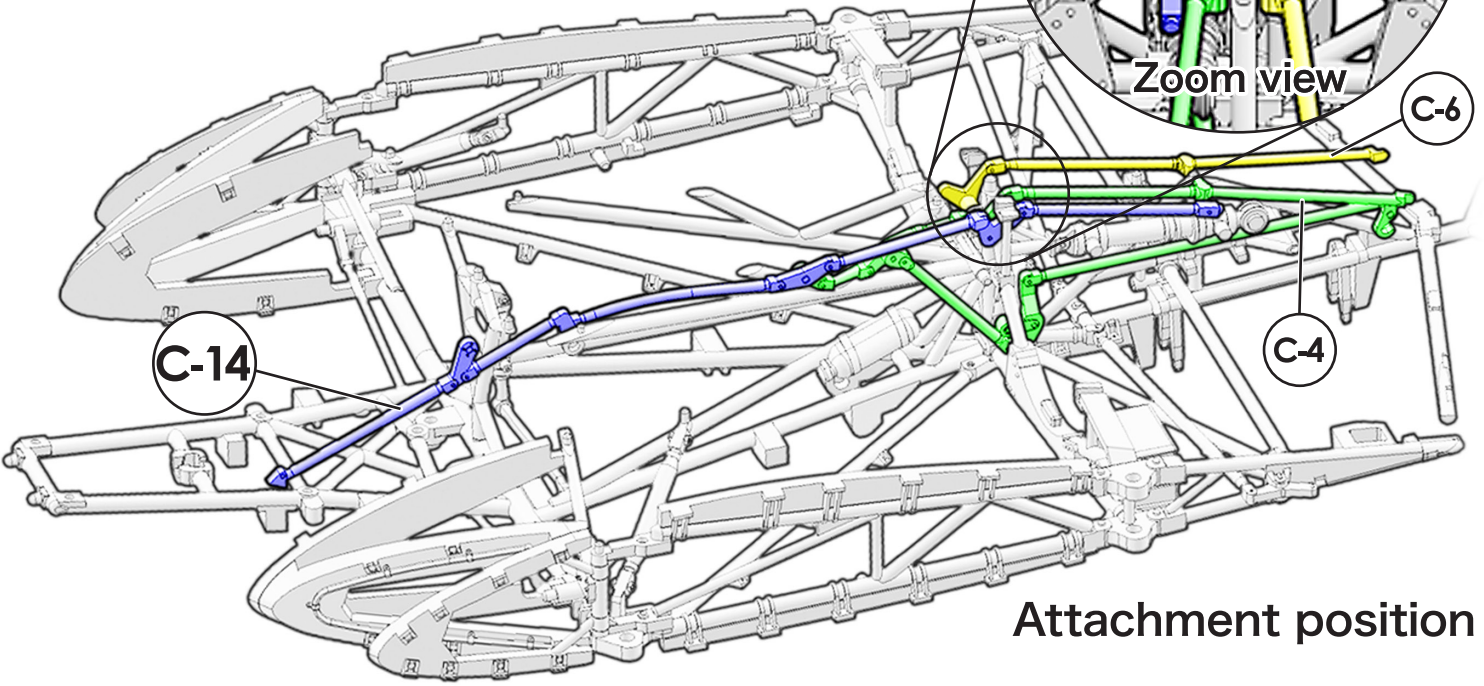
C

Test-fit position (insert the pin).

Make part C-14 passes through this position.



Zoom view



Attachment position

Illustration

2

Regarding part C-14, cement the indicated section B when cementing part B-21.

B

B-21

C-14

After cementing B, cement the test-fit C and fix these two sections.

B

C

C-14

