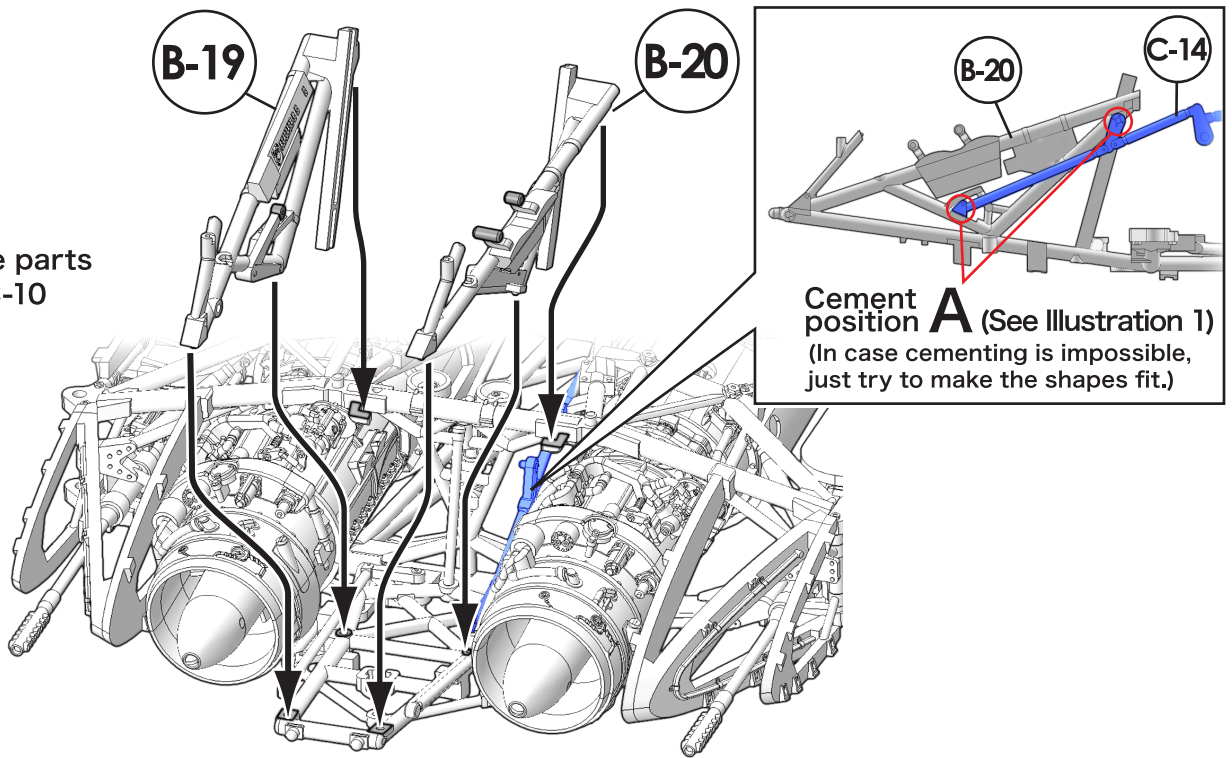


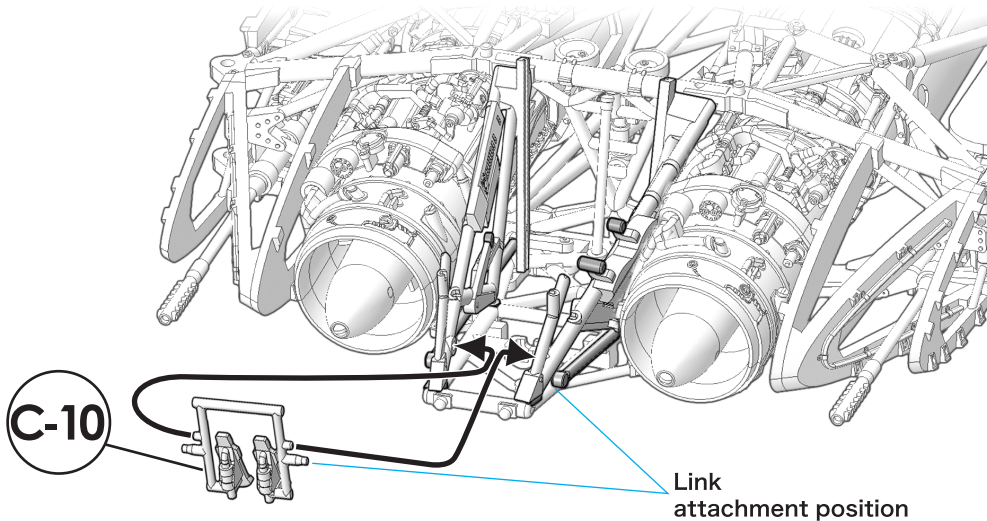
Illustration

3

How to assemble parts B-19, B-20 and C-10



- 1 Attach part B-20 on the upper part of the main frame as shown by the arrows, and cement part B-19.



- 2 Attach one side after another of part C-10 by sliding it between the edges of the cemented parts B-19 and B-20. By doing this, you will be able to exploit the "flexibility" of the frame in an optimal way to attach the part perfectly. After attaching, fix it with extra thin cement.

Illustration

4

Cement part B-12 to part E-22. Pay attention as part E-22 is transparent and cementing surface is uneven.

