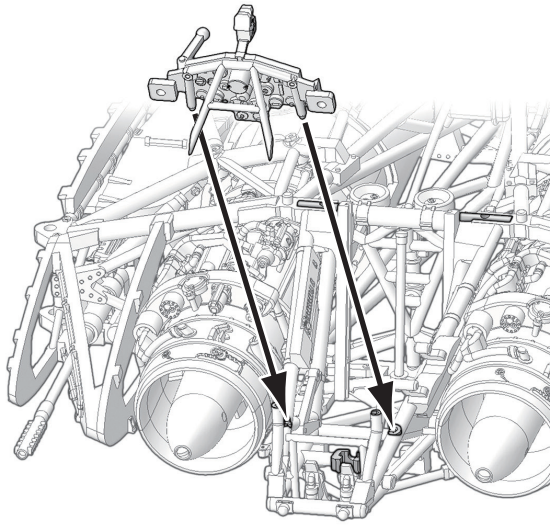


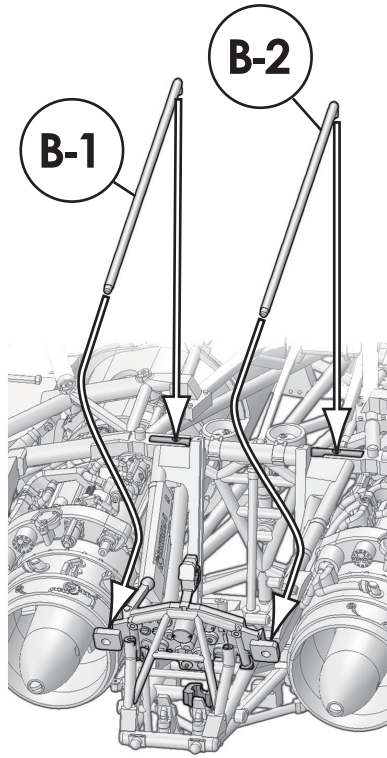
Illustration

5

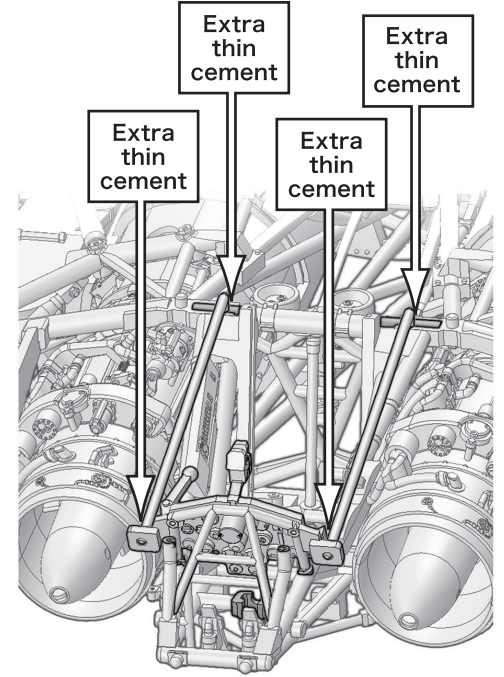
Please proceed the assembly by following the ① ②③ order.



① First, cement the instrument panel as shown in the illustration.



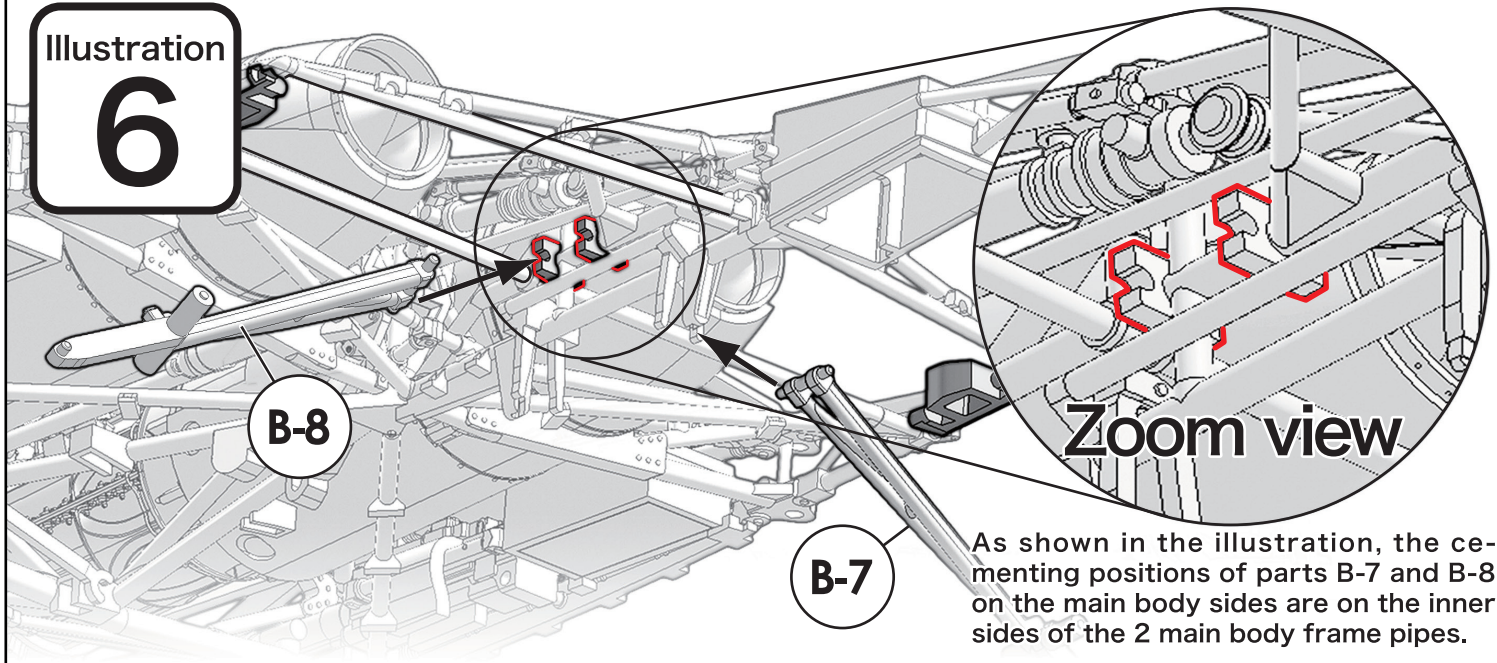
② Test-fit parts B-1 and B-2 with the main body frame and the instrument panel side.



③ After verifying the assembly of each section, fix with extra thin cement.

Illustration

6

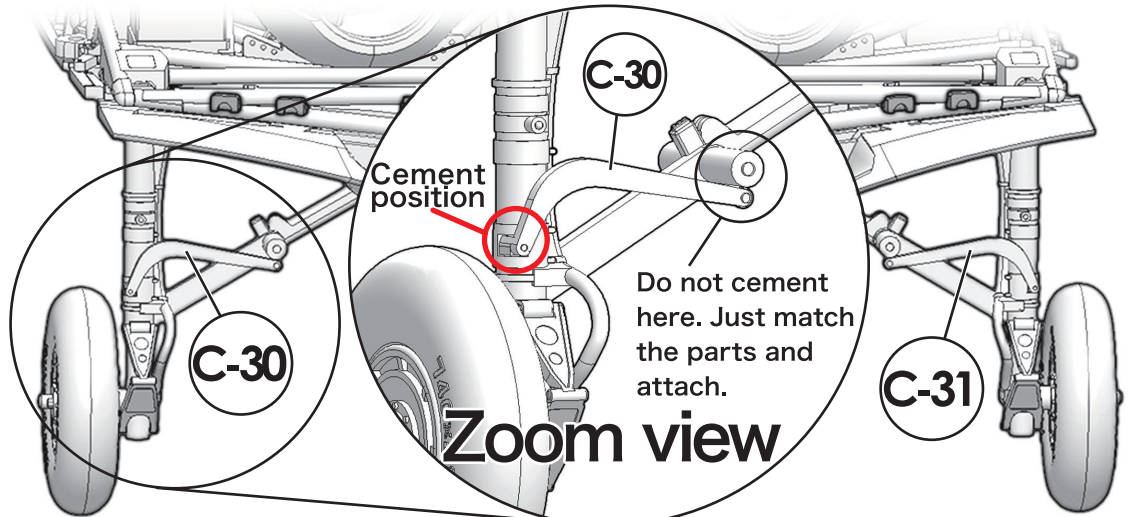


As shown in the illustration, the cementing positions of parts B-7 and B-8 on the main body sides are on the inner sides of the 2 main body frame pipes.

Illustration

7

Cement part C-30 as shown in the illustration. Attach part C-31 in the same way.



Do not cement here. Just match the parts and attach.