

# SUPER WING OPTIONS

ZOUKEI-MURA INC. PRESENTS  
SUPER WING SERIES® No.03  
1/32 DOUGLAS

**A-1H SKYRAIDER**  
U.S. NAVY

## Fuselage & Engine Set

ZOUKEI-MURA INC. PRESENTS  
SUPER WING SERIES  
1/32 DOUGLAS  
**A-1H SKYRAIDER**  
These are extra parts to be used with the "A-1H Skyraider" kit.

These are photo-etched parts. Please be careful during assembly. Plastic model cement won't work on these parts. Please use a suitable instant glue.

SWS03-M05

**Attention!**  
This item is meant for hobbyists 15 years of age or older. Please do not give this item to children under 15.  
This item is intended for use with the Zoukei-mura 1/32 "A-1H Skyraider." The polyethylene bags that contain the parts and assembly manual present a suffocation risk. Please do not drop the parts or bend them in unintended ways, as they may be damaged.  
In order to properly express the shape of the items, it was unavoidable for some parts to have sharp edges. Please be careful. Also, please make sure not to leave them in the reach of small children.

Plan & Design : Zoukei-Mura, Inc. Manufacturer : Eduard  
Distributor : VOLKS, Inc. <http://www.volks.co.jp/en/index.aspx>  
60 Goshonouchi Nakamachi Shichi-jo, Shimogyo-ku, Kyoto Japan 600-8862

### Important Points for Assembly

To use this item, please check the assembly manual of the 1/32 "A-1H" Skyraider as well. Please prepare all required tools.  
To cut the photo-etched parts, please use a metal nipper. Model kit tweezers are very useful when handling these parts after they are cut and when attaching them to the aircraft.  
Instant glue should be used for these parts. Please note that they cannot be glued with plastic model kit cement. Base preparation is required before painting. Please finish with a coat of metal primer or similar.  
With regard to paint, after taking personal safety and the global environment into consideration, we recommend using "Vallejo Colors," acrylic hobby paints for the new century. Please check references regarding the US Navy at that point and the assembly manual of 1/32 "A-1H" Skyraider, and finish your Skyraider in your preferred color scheme.  
When it comes time to use tools and paints, please carefully follow the individual instructions respective to each tool for your safety.

We take the utmost of care when overseeing manufacturing, but if your kit is among the very small percentage that contains a defective part, please contact customer service within two weeks of your purchase with your full name and order number.  
Purchasers from VOLKS Japan International Web Site:  
Please contact imos@volks.co.jp.  
Purchasers from VOLKS USA:  
Please contact service@volksusa.com.

Please note that items which have been opened, or worked with, can't be exchanged. Thank you for your understanding.

©ZOUKEI-MURA INC. All Rights reserved. Made in Czech Republic

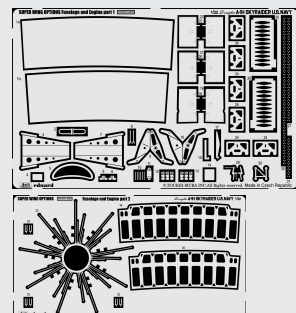
造形村  
ZOUKEI-MURA INC.  
<http://www.zoukeimura.com/jp/>

  
eduard  
<http://www.eduard.com>





4 518992 504254

¥2,000 (including Tax) ¥2,100



### Marks Used in the Instructions

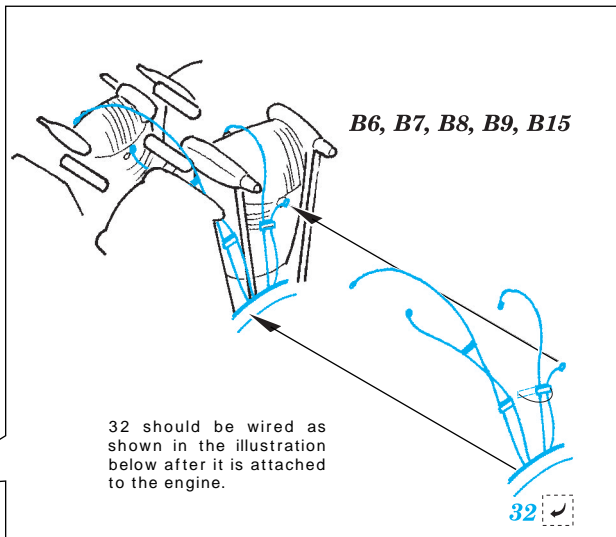
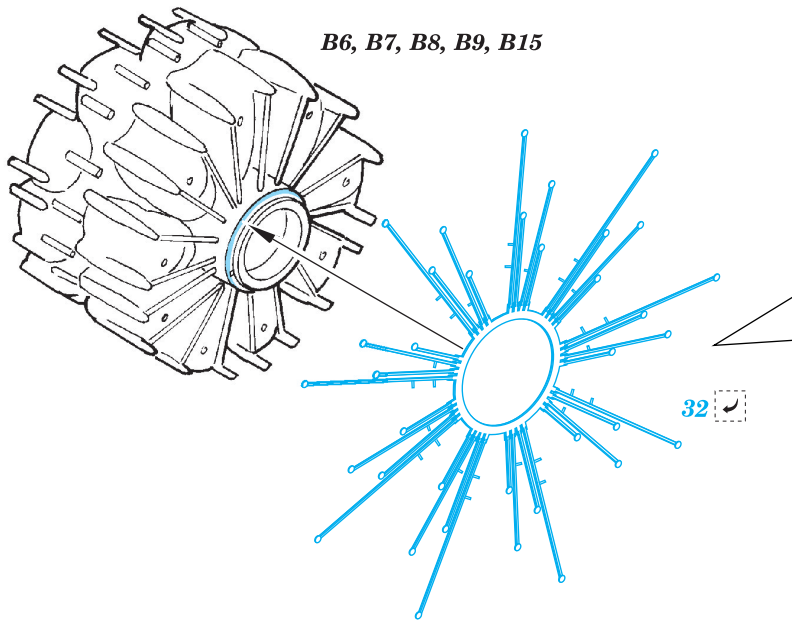
-  Do the same for right and left.
-  Scrape away.
-  Cut off.
-  Bend.
-  Choose one.
-  Make a hole.
-  Replace the default part.

### Colors Used in the Instructions

-  Parts of the Kit.
-  Parts of This Photo-Etched Set.
-  Cut off this area.
-  Fill this opening with a putty, or similar.

Refer to the A-1H's manual **p14.**

### How to Assemble the Engine



Refer to the A-1H's manual **p10.**

### How to Assemble the Rear Wheel Strut

