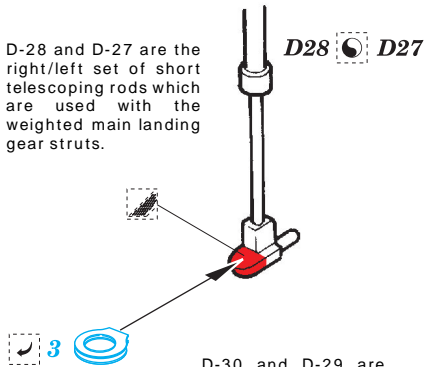


Refer to the A-1H1s manual

# p25.

## How to Assemble the Telescoping Rod

D-28 and D-27 are the right/left set of short telescoping rods which are used with the weighted main landing gear struts.



D-30 and D-29 are the long rods which are used with the lightly weighted main landing gear struts.

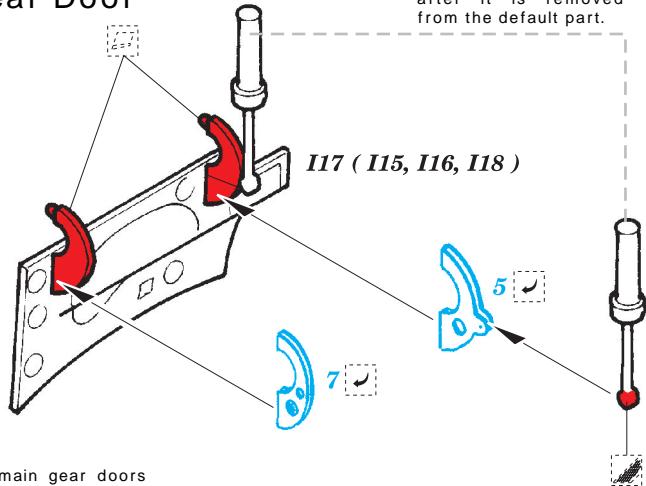
D30 D29

Refer to the A-1H1s manual

# p26.

## How to Assemble the Main Gear Door

This part will be reused after it is removed from the default part.



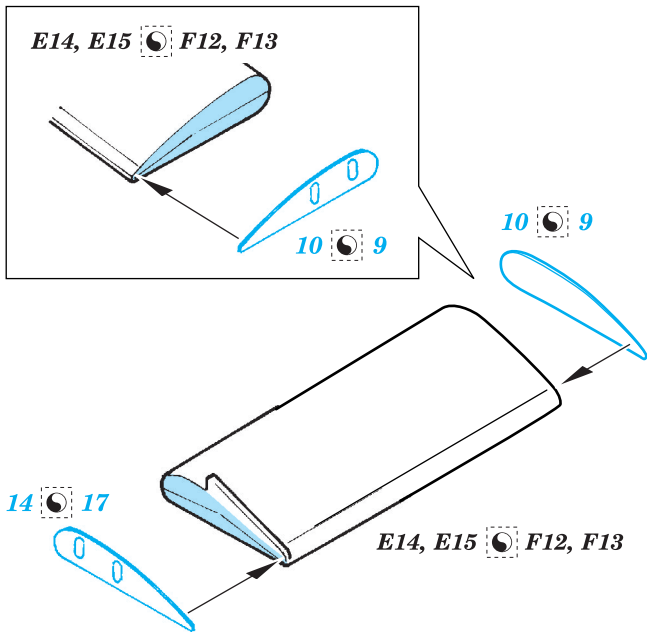
Prepare all four main gear doors (I-15, I-16, I-17 and I-18) as shown in this illustration.

Refer to the A-1H1s manual

# p30.

## How to Assemble the Flaps

E14, E15 F12, F13



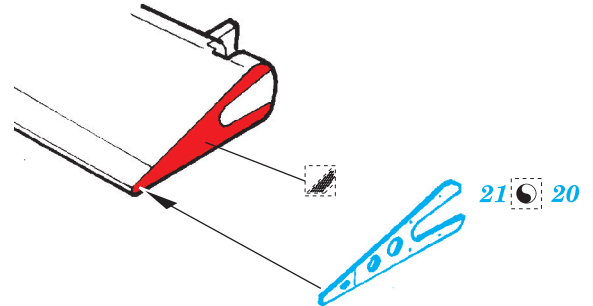
Refer to the A-1H1s manual

# p31.

## How to Assemble the Ailerons

Attach the photo-etched parts to the inner sides only of the right and left ailerons.

E12, E13 F14, F15



Refer to the A-1H1s manual

# p34.

## How to Assemble the Pylons

### Right/Left Inner Wing Pylons

### Center Pylon

**2 sets**

Please attach the photo-etched parts in the same manner for the both the right and left sides.

