

Attention!

- This item is meant for hobbyists 15 years of age or older. Please do not give this item to children under 15.
- This item is intended for use with the Zoukei-mura 1/32 "P-51D".
- The polyethylene bags that contain the parts and assembly manual present a suffocation risk. Please do not drop the parts or bend them in unintended ways, as they may be damaged.
- In order to properly express the shape of the sculpts, it was unavoidable for some parts to have sharp edges. Please be careful.

This is a resin kit. Please note that these parts cannot be glued with plastic model kit cement. Instant glue should be used instead.

SUPER WING OPTIONS

SWS04-F01
1/32 ZOUKEI-MURA INC. PRESENTS SUPER WING SERIES. No.04

P-51D Mustang

Forward Facing Pilot Figure

1/32 P-51D Mustang

Exclusive Pilot Figure

Photo shows assembled and unpainted sample. Color is not included.

ZOUKEI-MURA INC. All Rights reserved.

MB
ZOUKEI-MURA INC. MASTER BOX LTD.
http://www.zoukeimura.co.jp/
Plan & Manufacturer
Zoukei-Mura, Inc.
MASTER BOX LTD.
Design for
60 Gosenouchi Nakamachi
Shichi-jo, Shimogyo-ku, Kyoto
Japan 600-8862

Forward Facing Pilot Figure



4 518992 527901

1/32 "P-51D" Assembly Instructions

These parts will be inserted when assembling the 1/32 "P-51D" kit. Please refer to the instruction manual of the "P-51D".

1/32 P-51D Instruction Manual P13

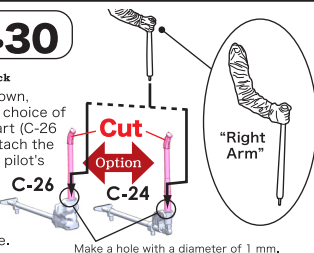


Select the C-23 (no seatbelt) part for assembly.

1/32 P-51D Instruction Manual P30

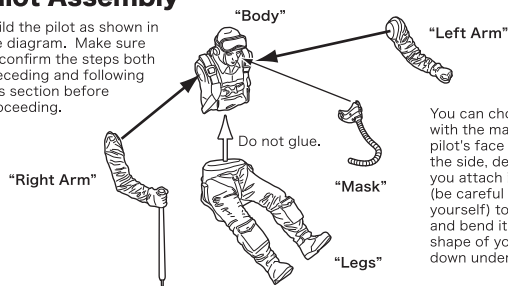
III-6. A 操縦桿

Cut to shape as shown, depending on your choice of the control stick part (C-26 or C-24). Do not attach the control stick to the pilot's right hand yet, just test-fit into place and attach the control stick to the fuselage (wing) side.



◆ Pilot Assembly

Build the pilot as shown in the diagram. Make sure to confirm the steps both preceding and following this section before proceeding.



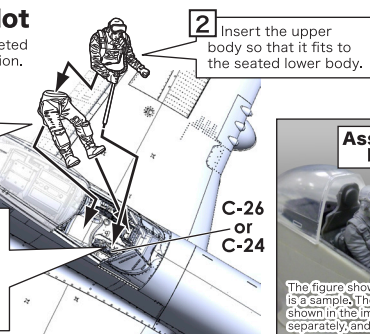
You can choose to assemble with the mask fully on the pilot's face or have it off the side, depending on where you attach it. Use a hair dryer (be careful not to burn yourself) to heat up the hose and bend it into the curved shape of your choice, leading down under the right arm.

◆ Inserting the Pilot

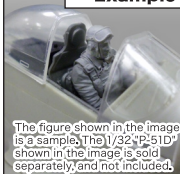
Install the pilot into the completed 1/32 "P-51D" in a seated position.

1 First, sit down the lower body only. Insert the legs until the soles of his feet are on the pedals.

3 After the pilot is seated, use a fine tool such as tweezers to adjust the right arm and the lower tip of the control stick to the base of the fuselage, and the pilot to the throttle lever.



Assembled Example

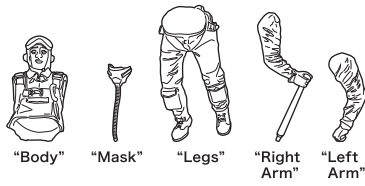


◆◆ Important Points for Assembly ◆◆

- Please carefully read the assembly manual prior to opening and make sure that everything is included.
- To use this item, tools such as ■Nippers, ■craft knife, ■files, ■sanding papers, ■instant glue, etc., are required, so please prepare them.
- Please prepare the parts first. You can remove seam lines and gate marks with tools such as nippers, a craft knife and files. Urethane resin is softer than the plastic material used for the kit, so be careful to avoid carving too much. Air bubbles can be filled with putty (epoxy, plastic, etc.) or similar, then finished with sanding paper. In the case that mold details are lost, you can recover them with tools such as spatulas.
- During assembly, adjust the orientation of each part while checking the balance and pose of the entire kit.
- Instant glue should be used for these parts. Please note that they cannot be glued with plastic model kit cement.
- We recommend using brass wire (sold separately) to reinforce the areas where the parts are glued together. Use a pin vice and drill bit to open a hole on both sides of each gluing surface, then insert the ends of a brass wire into the holes to connect the sides. This will greatly increase the strength of each joint. (Using the wires without glue to temporarily build a figure is called dry fitting. We recommend doing so in order to check each figure's balance.)
- Base preparation is required before painting. Please thoroughly finish the base with a coat of surface spray (otherwise, the paint will chip off as time passes).
- The recommended brand for painting your kit is the latest line of paint from Vallejo Color, due to its non-toxicity and environmental friendliness. While referring to resources on historical US AAF aircrafts, you may paint the model with the coloring of your choice.

※When it comes time to use tools and paints, please carefully follow the individual instructions respective to each tool for your safety.

Chart of Included Parts



We take the utmost of care when overseeing manufacturing, but if your kit is among the very small percentage that contains a defective part, please contact customer service within two weeks of your purchase with your full name and order number.

Purchasers from VOLKS Japan International Web Site : Please contact imos@volks.co.jp
Purchasers from VOLKS USA : Please contact service@volksusa.com