

SUPER WING OPTIONS

ZOUKEI-MURA INC. PRESENTS
SUPER WING SERIES® No.6

1/32 HEINKEL He 219 A-0 Uhu

Photo-Etched Frame Set

ZOUKEI-MURA INC. PRESENTS
SUPER WING SERIES

1/32

He 219 A-0 Uhu

These are extra parts
to be used with the
"He 219 A-0 Uhu" kit.

These are photo-etched parts. Please be careful during assembly.
Plastic model cement won't work on these parts. Please use a suitable instant glue.

SWS06-M07

Attention!

- This item is meant for hobbyists 15 years of age or older. Please do not give this item to children under 15.
- This item is intended for use with the Zoukei-mura 1/32 "He 219 A-0 Uhu".
- The polyethylene bags that contain the parts and assembly manual present a suffocation risk. Please do not drop the parts or bend them in unintended ways, as they may be damaged.
- In order to properly express the shape of the items, it was unavoidable for some parts to have sharp edges. Please be careful. Also, please make sure not to leave them in the reach of small children.

■ Plan & Design : Zoukei-Mura, Inc.

■ Manufacturer : Eduard

■ Distributor : VOLKS, Inc. <http://www.volks.co.jp/en/index.aspx>

60 Goshonouchi Nakamachi Shichi-jo, Shimogyo-ku, Kyoto Japan 600-8862

Notices Before Assembly

For use of this part, please refer to the instruction manual of the "He 219 A-0 Uhu" and prepare the required tools. Please use nippers for etching parts when cutting off the etching parts. Tweezers may also be very useful when handling the parts you cut and attaching them to the kit.
To affix the parts of the kit, please use an instant glue. Please do not use glue dedicated to plastic models. Before painting, make a primer coat using a Metal Primer. (Without primer coat, paint may peel.)
The recommended brand for painting your kit is the latest line of paint from Vallejo Color, due to its non-toxicity and environmental friendliness. With referring to resources on historical Luftwaffe aircrafts, please check the instruction manual of 1/32 "He 219 A-0 Uhu."
Please use caution when handling the tools and solvents used for assembly and painting by referring to their instruction manuals.

We take the utmost of care when overseeing manufacturing, but if your kit is among the very small percentage that contains a defective part, please contact customer service within two weeks of your purchase with your full name and order number.
Purchasers from VOLKS Japan International Web Site:
Please contact imos@volks.co.jp.
Purchasers from VOLKS USA : Please contact service@volksusa.com.

Please note that items which have been opened, or worked with, can't be exchanged. Thank you for your understanding.

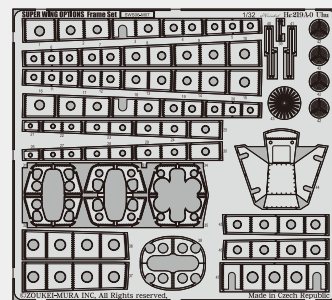
©ZOUKEI-MURA INC. All Rights reserved. Made in Czech Republic

造形村
ZOUKEI-MURA INC.
<http://www.zoukeimura.co.jp/>

eduard
<http://www.eduard.com>



¥2,200 (Including Tax ¥2,310)



Marks Used in the Instructions

- Do the same for right and left.
- Cut off.
- Bend.
- Make a hole.
- Scrape away.
- Choose one.
- Replace the default part.

Colors Used in the Instructions

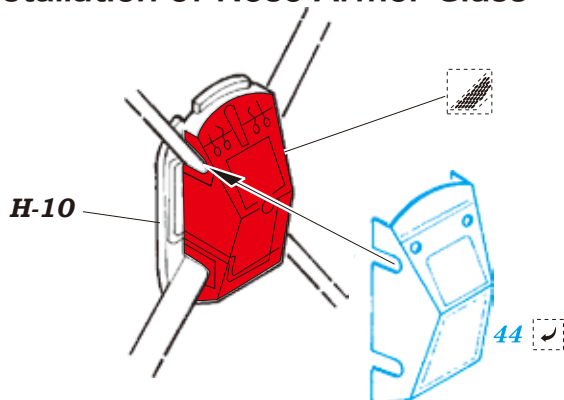
- Parts of the Kit.
- Parts of this Photo-Etched Set.
- Cut off this area.
- Fill this opening with a putty, or similar.

1/32 He 219 A-0 Uhu
Instruction Manual

P.16

3-3. B Nose Armorplate and Radar Antenna Brackets

Installation of Nose Armor Glass



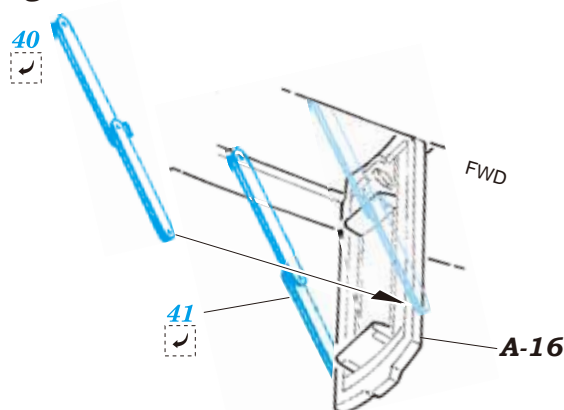
These parts are used to recreate the uncovered armor glass during maintenance and production.

1/32 He 219 A-0 Uhu
Instruction Manual

P.20

3-3. M Ventral Structure

Installation of a Stay for Rear Hatch Opening

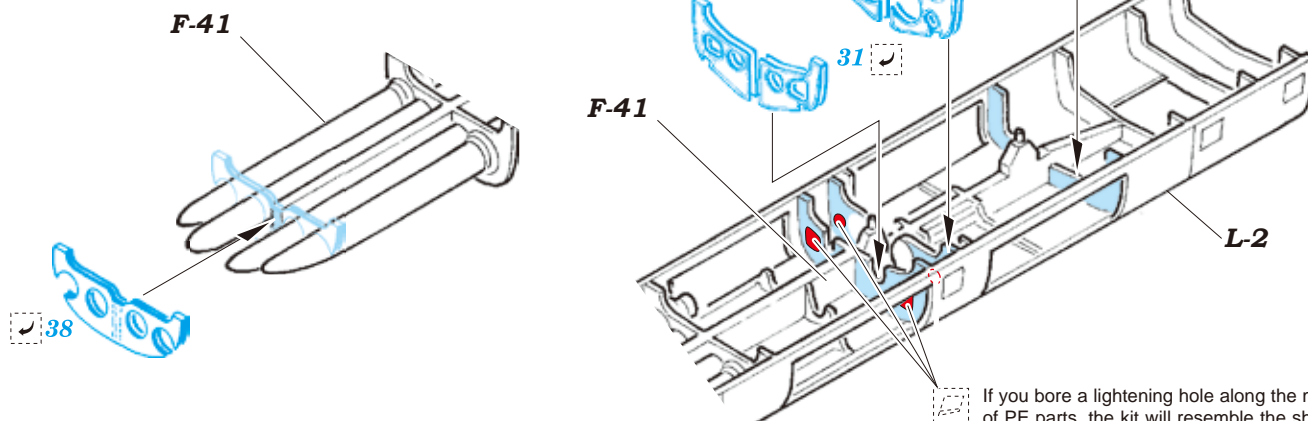


1/32 He 219 A-0 Uhu
Instruction Manual

P.21

3-3. O Ventral Weapons Tray

Armament frame and bulkhead inside the underside armament cover.



If you bore a lightening hole along the mold of PE parts, the kit will resemble the shape of the actual airplane even more closely.