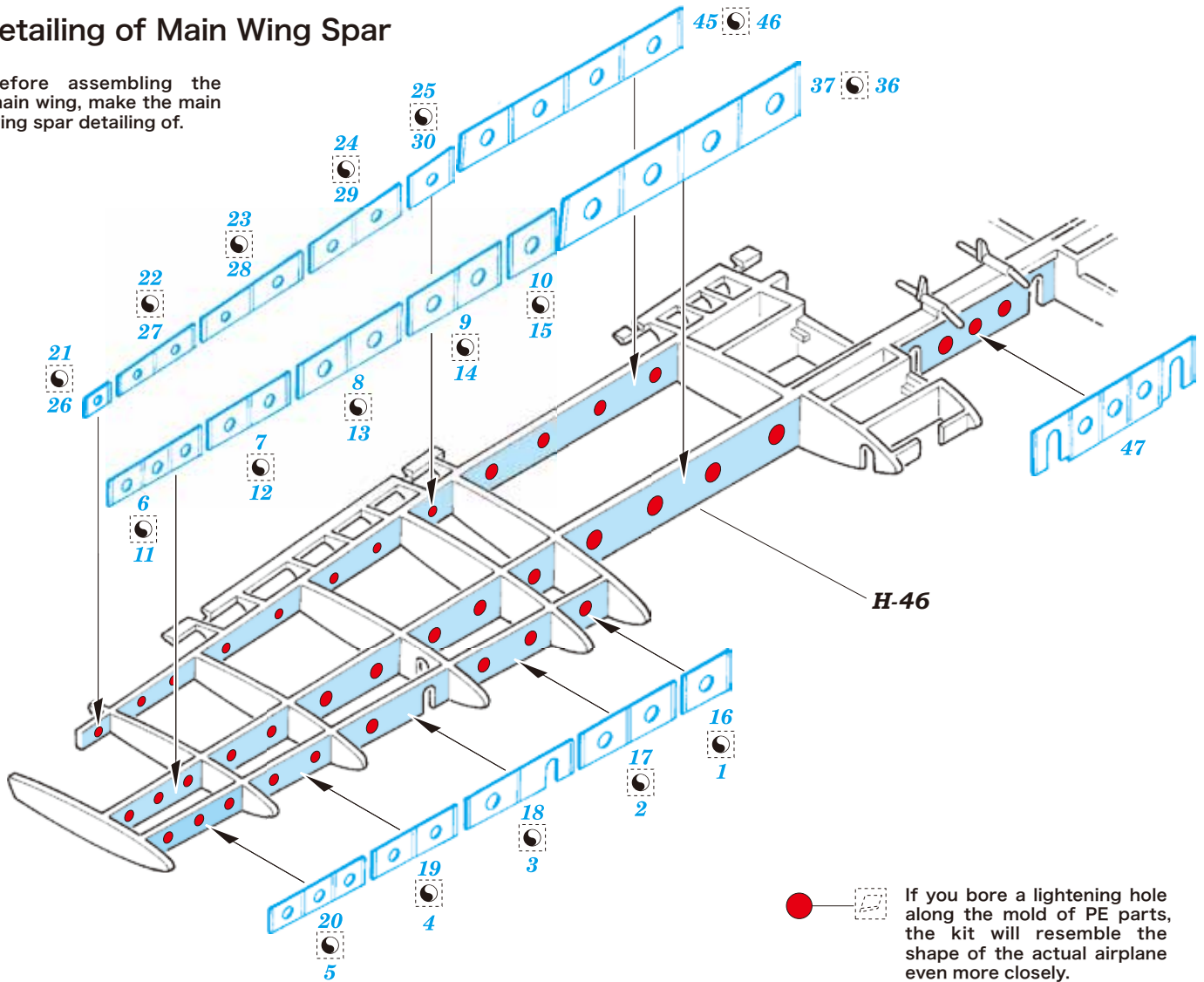


3-4. A Upper Engine Nacelle (Right)

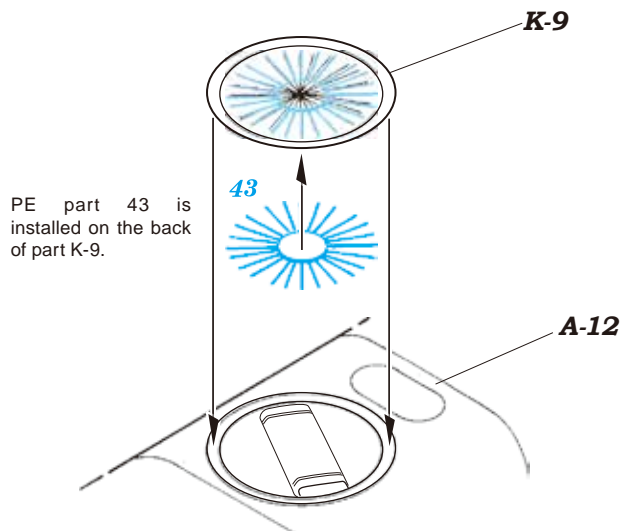
Detailing of Main Wing Spar

Before assembling the main wing, make the main wing spar detailing of.



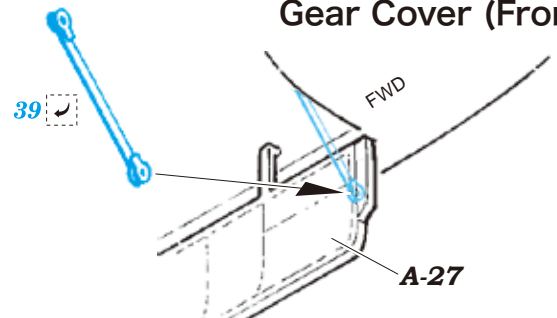
3-5. D Upper Fuselage Outer Panel

Installation of Antenna Cover Stay



3-6. B Nose Gear Covers, Ladder

Installation of Stay of Nose Landing Gear Cover (Front)



3-7. E Cowling, Flame Damper

Installation of Antiphlogistic Exhaust Pipe

