

SUPER WING OPTIONS

ZOUKEI-MURA INC. PRESENTS
SUPER WING SERIES® No.8
1/32

Horten Ho 229

Photo-Etched Parts Interior & Air Brake Set

◆◆Notices Before Assembly◆◆

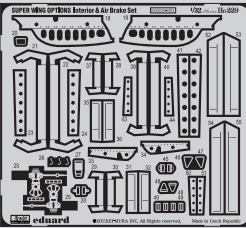
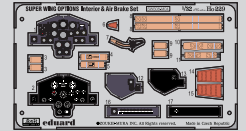
- For use of this part, please refer to the instruction manual of the 1/32 "Horten Ho 229" and prepare the required tools.
- Please use nippers for etching parts when cutting off the etching parts. Tweezers may also be very useful when handling the parts you cut and attaching them to the kit.
- To affix the parts of the kit, please use an instant glue. Please do not use glue dedicated to plastic models. Before painting, make a primer coat using a Metal Primer. (Without primer coat, paint may peel.)
- The recommended brand for painting your kit is the latest line of paint from Vallejo Color, due to its non-toxicity and environmental friendliness. With referring to resources on historical Luftwaffe aircrafts, please check the instruction manual of 1/32 "Horten Ho 229".
- ⊗ Please use caution when handling the tools and solvents used for assembly and painting by referring to their instruction manuals.

We take the utmost of care when overseeing manufacturing, but if your kit is among the very small percentage that contains a defective part, please contact customer service within two weeks of your purchase with your full name and order number. Purchasers from VOLKS Japan International Web Site: Please contact imos@volks.co.jp. Purchasers from VOLKS USA : Please contact service@volksusa.com.

Please note that items which have been opened, or worked with, can't be exchanged. Thank you for your understanding.



©ZOUKEI-MURA INC. All Rights reserved. Made in Czech Republic



ZOUKEI-MURA INC. PRESENTS
SUPER WING SERIES

1/32 Horten Ho 229

These are extra parts to be used with the "Horten Ho 229" kit.

These are photo-etched parts. Please note that these parts cannot be glued with plastic model kit cement. Instant glue should be used instead.

SWS08-M04

⚠ Attention!

- This item is meant for hobbyists 15 years of age or older. Please do not give this item to children under 15.
- This item is intended for use with the Zoukei-mura 1/32 "Horten Ho 229".
- The polyethylene bags that contain the parts and assembly manual present a suffocation risk. Please do not drop the parts or bend them in unintended ways, as they may be damaged.
- In order to properly express the shape of the items, it was unavoidable for some parts to have sharp edges. Please be careful. Also, please make sure not to leave them in the reach of small children.

■ Plan & Design : Zoukei-Mura, Inc. ■ Manufacturer : Eduard
 ■ Distributor : VOLKS, Inc. <http://www.volks.co.jp/en/>
 60 Goshonouchi Nakamachi Shichi-jo, Shimogyo-ku, Kyoto Japan 600-8862

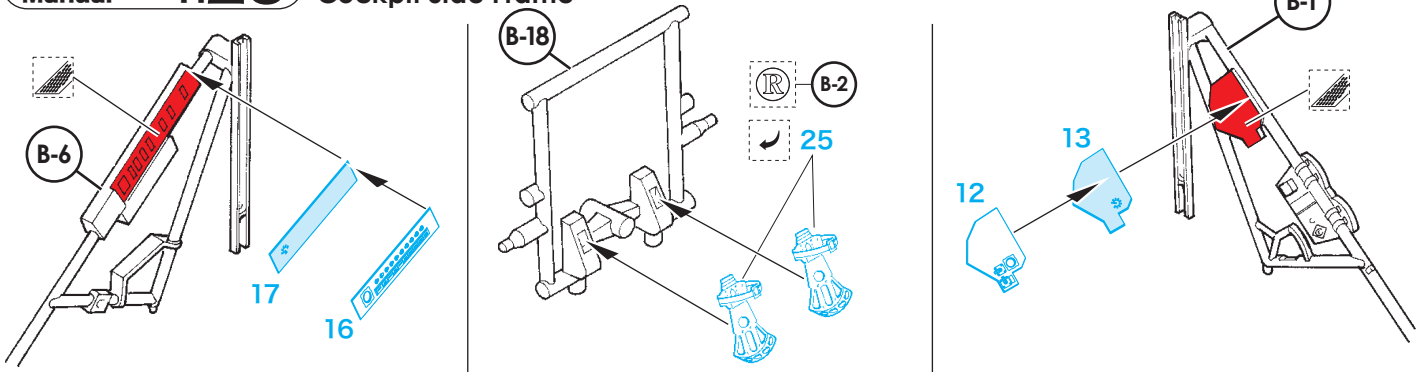
Marks Used in the Instructions

- Do the same for right and left.
- Cut off.
- Bend.
- Make a hole.
- Scrape away.
- Choose one.
- Replace the default part.

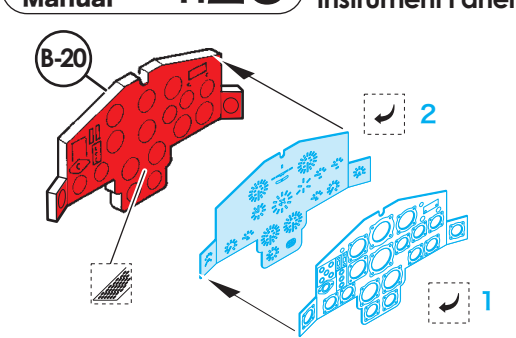
Colors Used in the Instructions

- Parts of the Kit.
- Parts of this Photo-Etched Set.
- Cut off this area.
- Fill this opening with a putty, or similar.

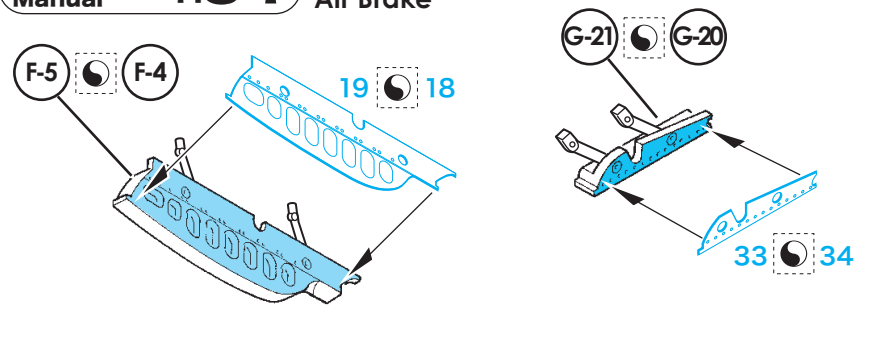
1/32Ho 229 Instruction Manual P.25 3-3. A Cockpit Side Frame



1/32Ho 229 Instruction Manual P.26 3-3. C Instrument Panel



1/32Ho 229 Instruction Manual P.34 3-5. C Air Brake



1/32Ho 229 Instruction Manual P.38 3-6. F Drag Rudder (Right)

