

▲WARNING: Read Carefully

- For ages 15 and up.
- Read all instructions before use. Only use as instructed.
- Contains small and sharp parts. Do not swallow and be careful of injury.
- Keep out of reach of small children.
- Plastic bags may cause suffocation. Do not use them to cover your head or face.
- This product is delicate. To avoid breakage, do not forcibly bend, drop, or apply too much pressure.
- The outer packaging may be damaged during transportation.
- Keep the instructions. Please contact our Customer Service Center if you have any questions or concerns.

- This assembly kit is made of resin.
- Assembly requires nippers, precision knives, super glue, and paint.

SUPER WING OPTIONS



SWS18-M02

1/32 ZOUKEI-MURA INC. PRESENTS SUPER WING SERIES: No. 18
Bf 109G Late Version

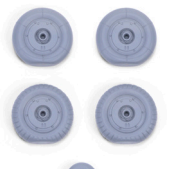
Weighted Tires

1/32 Hasegawa
Bf 109G Late Version

These are extra parts to be used with the "Bf 109G Late type" kit.



制作遠形 造形村/H-ハウス ©VOLKS INC.



造形村
ZOUKEI-MURA INC.
<https://www.zoukei-mura.co.jp/>
Main & Manufacturer: Zoukei-Mura, Inc.
Purchasers from VOLKS Japan International Web Site: imos@volks.co.jp
Purchasers from VOLKS USA: service@volksusa.com
Please contact service@volksusa.com

Bf 109 G Late Version Weighted Tires



4 518992 529721

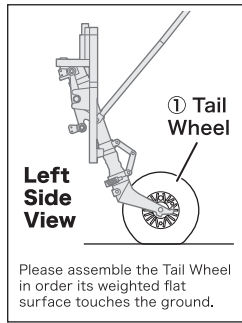
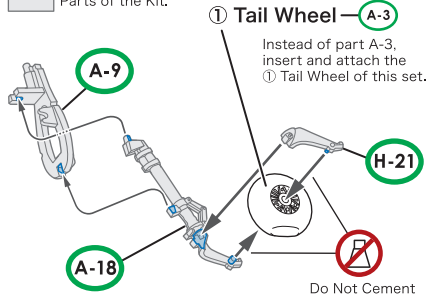
Assembly Instructions These parts will be inserted when assembling the SWS 1/32 "Bf 109" kit.

1/32 Bf 109 G-14/U4
Instruction Manual p.26

3-3. D 尾輪
Tail Wheel

Cementing position

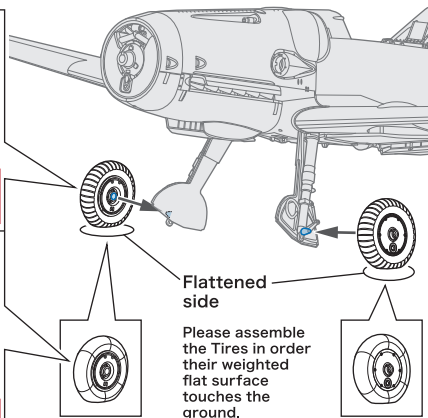
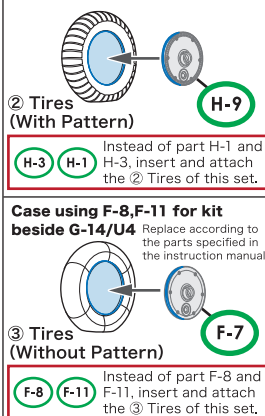
Parts of the Kit.



1/32 Bf 109 G-14/U4
Instruction Manual p.42

3-4. W 主脚ダイヤ
Main Landing Gear Tire

Assemble twice for both sides.

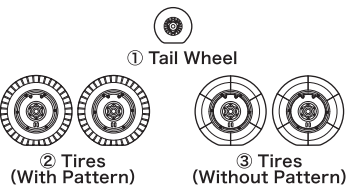


◆◆important Points for Assembly◆◆

- Please carefully read the assembly manual prior to opening and make sure that everything is included.
- To use this item, tools such as ●nippers, ●craft knife, ●files, ●sanding papers, ●instant glue, etc., are required, so please prepare them.
- Please prepare the parts first. You can remove seam lines and mark with tools such as nippers, a craft knife and files. Urethane resin is softer than the plastic material used for the kit, so be careful to avoid carving too much. Air bubbles can be filled with putty (epoxy, plastic, etc.) or similar, then finished with sanding paper. In the case that mold details are lost, you can recover them with tools such as spatulas.
- During assembly, adjust the orientation of each part while checking the balance and pose of the entire kit.
- Instant glue should be used for these parts. Please note that glue cannot be glued with plastic model kit cement.
- We recommend using brass wire (sold separately) to reinforce the areas where the parts are glued together. Use a pin vise and drill bit to open a hole on both sides of each gluing surface, then insert the ends of a brass wire into the holes to connect the sides. This will greatly increase the strength of each joint. (Using the wires without glue to temporarily build a figure is called dry fitting. We recommend doing so in order to check each figure's balance.)
- Base preparation is required before painting. Please thoroughly (brush the base with a coat of surface spray (otherwise, the paint will chip off as time passes).
- The recommended brand for painting your kit is the environment-friendly latest line of paint from Vallejo Color. Please refer to the Zoukei-mura 1/32 "Ki-45 Kai TORU" Instruction Manual and Imperial Japanese Army historical manuals to paint the model with the coloring of your choice.

※When it comes time to use tools and paints, please carefully follow the individual instructions respective to each tool for your safety.

Chart of Included Parts



We take the utmost of care when overseeing manufacturing, but if your kit is among the very small percentage that contains a defective part, please contact customer service within two weeks of your purchase with your full name and order number.
Purchasers from VOLKS Japan International Web Site : Please contact imos@volks.co.jp.
Purchasers from VOLKS USA : Please contact service@volksusa.com.

Additionally affixing the separately sold "Metal struts" part will increase the stability and strength of the kit.