

WARNING: Read Carefully

- For ages 15 and up.
- Read all instructions before use. Only use as instructed.
- Contains small and sharp parts. Do not swallow and be careful of injury.
- Keep out of reach of small children.
- Plastic bags may cause suffocation. Do not use them to cover your head or face.
- This product is delicate. To avoid breakage, do not forcibly bend, drop, or apply too much pressure.
- The outer packaging may be damaged during transportation.
- Keep the instructions. Please contact our Customer Service Center if you have any questions or concerns.

This assembly kit is made of turned metal.

Assembly requires nippers, precision knives, super glue, and paint.


SUPER WING OPTIONS



SWS18-M03
1/32 ZOUKEI-MURA INC. PRESENTS
SUPER WING SERIES No.18
Bf 109 G
Turned Metal Machine Gun and Pitot Tube Set



These are extra parts to be used with the "Bf 109 G Late type" kit.



These are extra parts to be used with the "Bf 109 G Late type" kit.

ZOUKEI-MURA INC. 制作:遠形◎造形材/ホ-クス ◎VOLKS INC.

造形村
ZOUKEI-MURA INC.
https://www.zoukeimura.co.jp/
◆Plm & Manufacturer: Zoukei-Mura, Inc.
◆Distributor: VOLKS INC.
◆Purchasers from VOLKS: Japan International Web Site: Purchasers from VOLKS USA: Please contact service@volksusa.com

Turned Metal Machine Gun and Pitot Tube Set



4 518992 529738

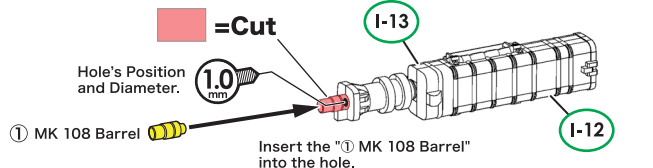
Assembly Instructions These parts will be inserted when assembling the SWS 1/32 "Bf 109" kit.

Motor-cannon

1/32 Bf 109 G-14/U4
Instruction Manual P.29

MK 108 30mm Cannon

3-3. J モーターカノン
Motor-Cannon



=Cut

Hole's Position and Diameter. 1.0 mm

① MK 108 Barrel

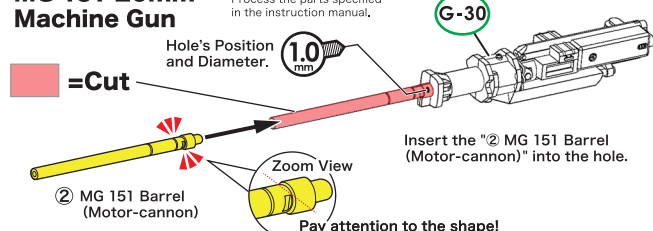
Insert the "① MK 108 Barrel" into the hole.

MG 151 20mm Machine Gun

1/32 Bf 109 G-14/U4
Instruction Manual P.38

MG 151 20mm Machine Gun

3-4. Q MG 131機銃
MG 131 Machine Gun



=Cut

Hole's Position and Diameter. 1.0 mm

② MG 151 Barrel (Motor-cannon)

Insert the "② MG 151 Barrel (Motor-cannon)" into the hole.

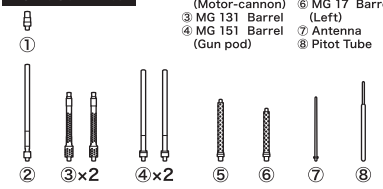
◆◆ Important Points for Assembly ◆◆

- Before opening the bag, please carefully read this instruction manual and verify that all the parts are included. Please also refer to the ZOUKEI-MURA SWS 1/32 "Bf 109" Instruction Manual to use these parts.
- You will need a pin vice with a 1.0mm drill bit to assemble these parts. Please see p. 6 of the kit's manual.
- This set replaces the machine gun and pitot tube plastic parts used in the ZOUKEI-MURA SWS 1/32 "Bf 109 G" with turned metal and resin parts. Please read these instructions as well as the kit's manual before assembling with your 1/32 "Bf 109" kit.
- To affix the parts of the kit, please use instant glue. Please do not use glue dedicated to plastic models. Before painting, make a primer coat using the Metal Primer. (Without primer coat, paint may peel.)
- The recommended brand for painting your kit is the latest line of acrylic paint from Vallejo Color. Please refer to the ZOUKEI-MURA SWS 1/32 "Bf 109" Instruction Manual and Luftwaffe historical manuals to paint the model with the coloring of your choice.
- Please note that depending on the model, the antenna may not be used or the armament may change for the Zoukie-Mura SWS 1/32 "Bf 109" G type

※When it comes time to use tools and paints, please carefully follow the individual instructions respective to each tool for your safety.

Chart of Included Parts

① MK 108 Barrel	⑤ MG 17 Barrel (Right)
② MG 151 Barrel (Motor-cannon)	⑥ MG 17 Barrel (Left)
③ MG 131 Barrel (Gun pod)	⑦ Antenna
④ MG 151 Barrel (Gun pod)	⑧ Pitot Tube



We take the utmost of care when overseeing manufacturing, but if your kit is among the very small percentage that contains a defective part, please contact customer service within two weeks of your purchase with your full name and order number.

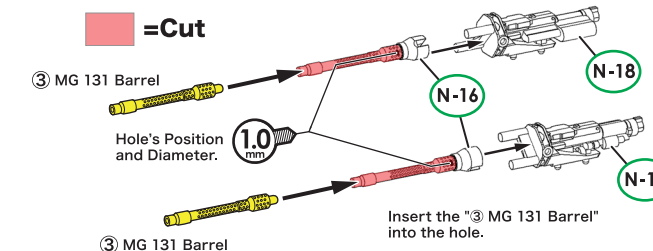
Purchasers from VOLKS
Japan International Web Site:
Please contact imos@volks.co.jp.
Purchasers from VOLKS USA:
Please contact service@volksusa.com.

Nose Machine Gun

1/32 Bf 109 G-14/U4
Instruction Manual P.38

MG 131 13.2mm Machine Gun

3-4. Q MG 131機銃
MG 131 Machine Gun



=Cut

Hole's Position and Diameter. 1.0 mm

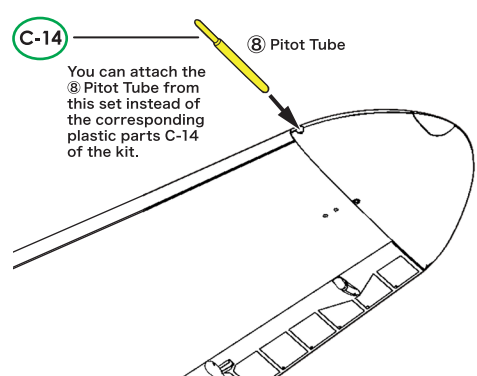
③ MG 131 Barrel

Insert the "③ MG 131 Barrel" into the hole.

Pitot Tube

1/32 Bf 109 G-14/U4
Instruction Manual P.50

3-5. K ビト-管など Pitot Tube and Other Details



⑧ Pitot Tube

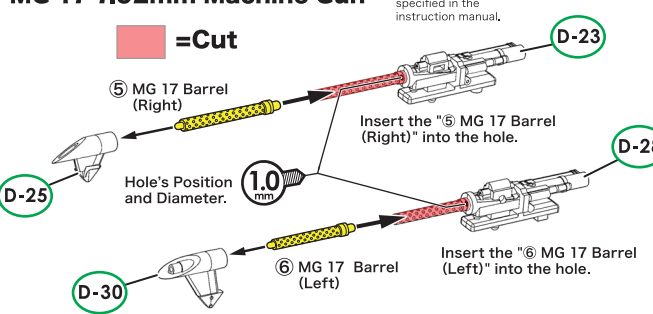
You can attach the ⑧ Pitot Tube from this set instead of the corresponding plastic parts C-14 of the kit.

MG 17 7.92mm Machine Gun

1/32 Bf 109 G-14/U4
Instruction Manual P.38

MG 17 7.92mm Machine Gun

3-5. K MG 17機銃
MG 17 Machine Gun



=Cut

Hole's Position and Diameter. 1.0 mm

⑤ MG 17 Barrel (Right)

Insert the "⑤ MG 17 Barrel (Right)" into the hole.

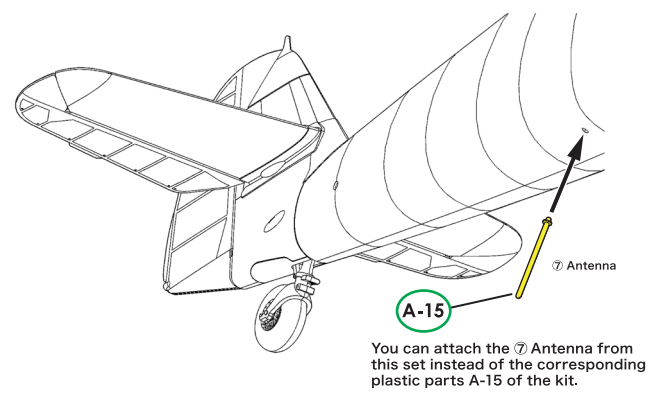
⑥ MG 17 Barrel (Left)

Insert the "⑥ MG 17 Barrel (Left)" into the hole.

Antenna

Replace according to the parts specified in the instruction manual.

Antenna is not used for 1/32 Bf 109 G-14/U4.



⑦ Antenna

You can attach the ⑦ Antenna from this set instead of the corresponding plastic parts A-15 of the kit.

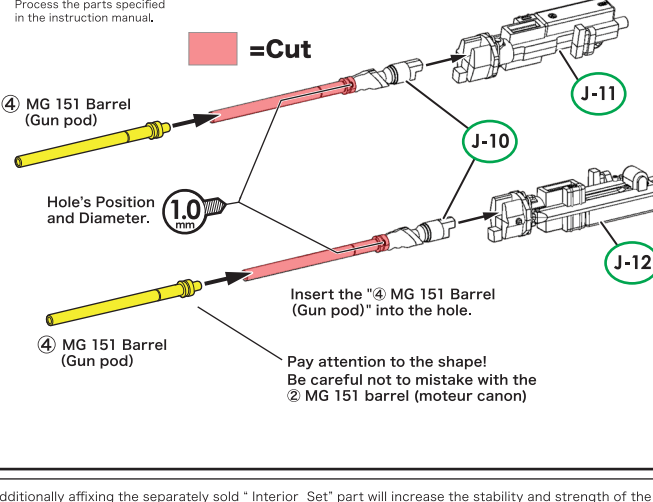
Gun Pod

1/32 Bf 109 G-14/U4
Instruction Manual P.38

MG 151 20mm Machine Gun

3-5. K MG 151機銃
MG 151 Machine Gun

There is no gun pod for 1/32 Bf 109 G-14/U4.



=Cut

Hole's Position and Diameter. 1.0 mm

④ MG 151 Barrel (Gun pod)

Insert the "④ MG 151 Barrel (Gun pod)" into the hole.

Pay attention to the shape! Be careful not to mistake with the ② MG 151 barrel (moteur canon)

Additionally affixing the separately sold "Interior Set" part will increase the stability and strength of the kit.