

# SUPER WING OPTIONS

スーパーウイング オプションズ

ZOUKEI-MURA INC. PRESENTS SUPER WING SERIES, No.18

## 1/32 Bf 109 G

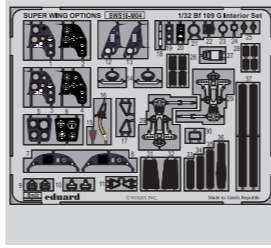
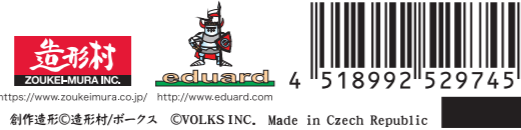
### Interior Set

#### ◆◆Important Points for Assembly◆◆

- For use of this part, please refer to the Instruction Manual of the 1/32 "Henschel Hs 129" and prepare the required tools.
- Please use nippers for etching parts when cutting off the etching parts. Tweezers may also be very useful when handling the parts you cut and attaching them to the kit.
- Please use instant glue for cementing these parts. Please note that these parts cannot be glued with plastic model kit cement. Before painting the parts, please spray a coat of metal primer (otherwise, the paint may peel as time passes).
- The recommended brand for painting your kit is the latest line of acrylic paint from Vallejo Color. Please refer to the Zoukei-mura 1/32 "Henschel Hs 129" Instruction Manual and Luftwaffe historical manuals to paint the model with the coloring of your choice.
- ※Before using tools and paints, please carefully read their instructions manuals and use them safely.

We take the utmost of care when overseeing manufacturing, but if your kit is among the very small percentage that contains a defective part, please contact customer service within two weeks of your purchase with your full name and order number. Purchasers from VOLKS Japan International Web Site : Please contact imos@volks.co.jp. Purchasers from VOLKS USA : Please contact service@volksusa.com.

Please note that items which have been opened, or worked with, can't be exchanged. Thank you for your understanding.



**1/32 Bf 109 G**

●This assembly kit is made of Photo-etched parts. ●Assembly requires nippers, precision knives, super glue, and paint.

**SWS18-M04**

**1.WARNING: Read Carefully**

●For ages 15 and up. ●Read all instructions before use. Only use as instructed. ●Contains small and sharp parts. Do not swallow and be careful of injury. ●Keep out of reach of small children. ●Plastic bags may cause suffocation. Do not use them to cover your head or face. ●This product is delicate. To avoid breakage, do not forcibly bend, drop, or apply too much pressure. ●The outer packaging may be damaged during transportation. ●Keep the instructions. Please contact our Customer Service Center if you have any questions or concerns.

■Plan & Design : Zoukei-Mura, Inc. ■Manufacturer : Eduard

■Distributor : VOLKS, Inc. <https://www.volks.co.jp/en/>

60 Goshonouchi Nakamachi Shichi-jo, Shimogyo-ku, Kyoto Japan 600-8862

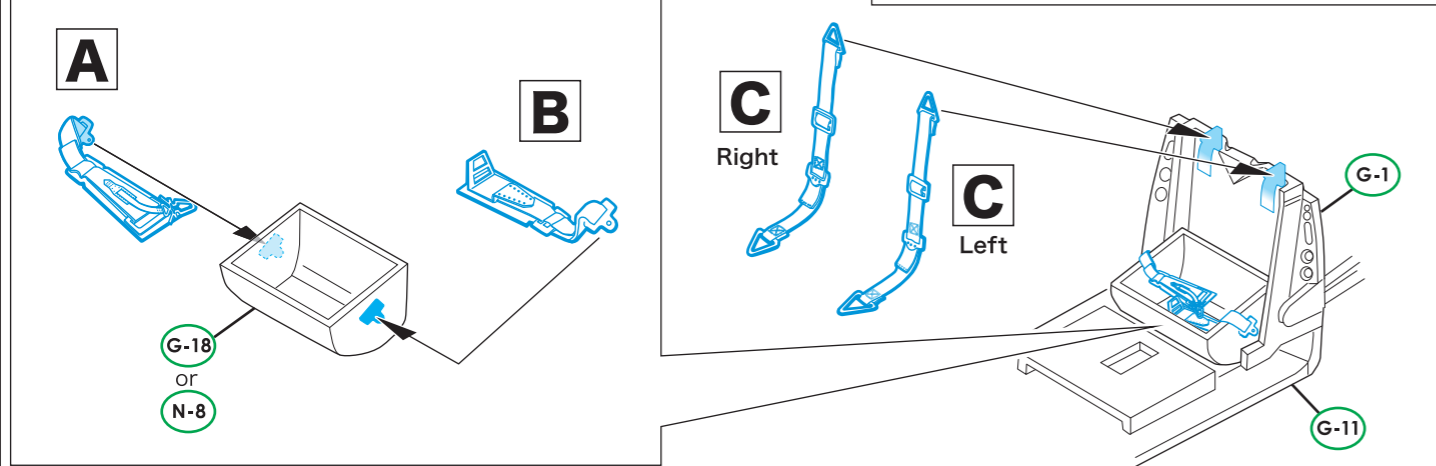
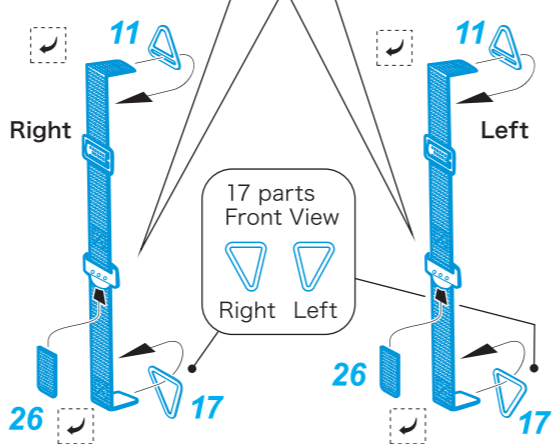
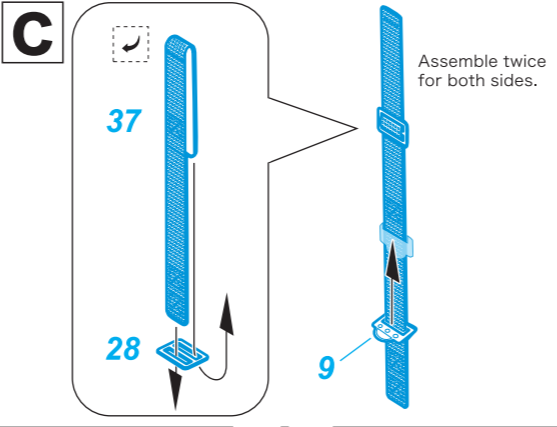
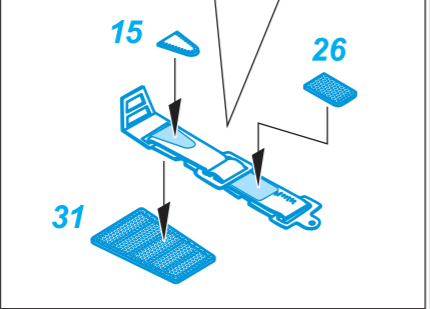
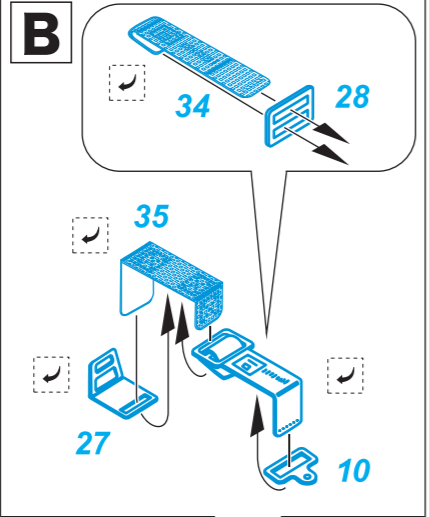
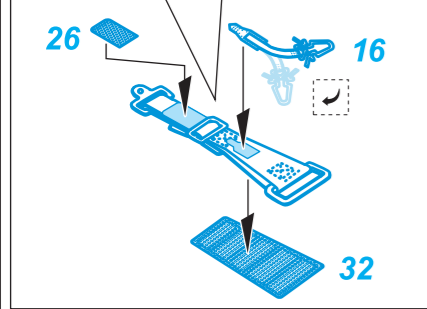
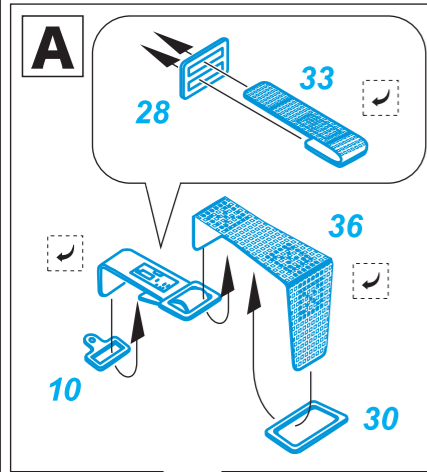
#### Marks Used in the Instructions

- ☉ Do the same for right and left.
- ✂ Cut off.
- ↷ Bend.
- ⚪ Make a hole.
- 🔪 Scrape away.
- ❓ Choose one.
- Ⓜ Replace the default part.

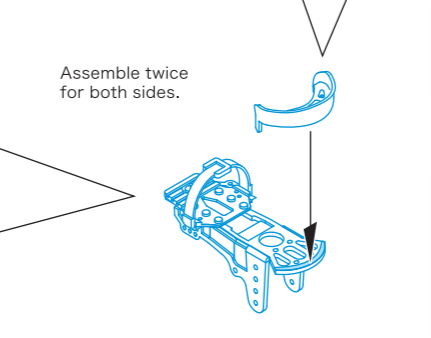
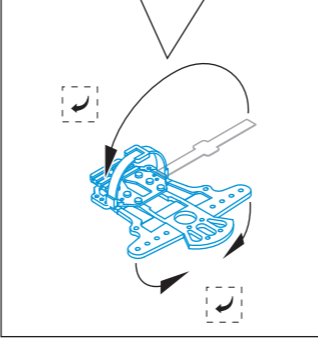
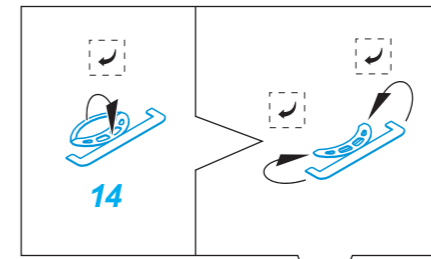
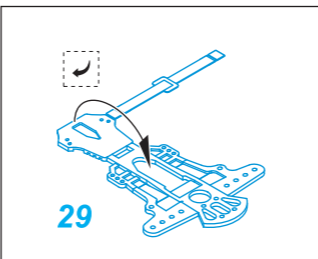
#### Colors Used in the Instructions

- Parts of the Kit.
- Parts of this Photo-Etched Set.
- Cut off this area.

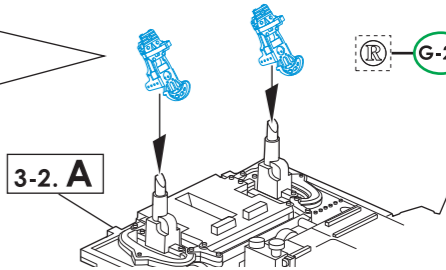
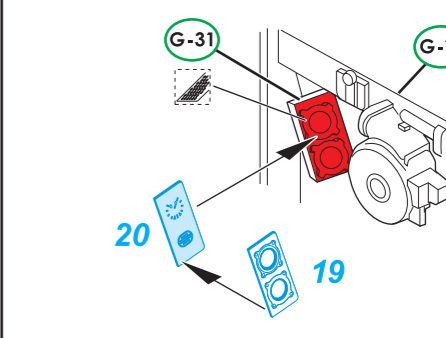
1/32 Bf 109 G-14/U4 Instruction Manual P.18 3-2. B 操縦桿など Control Stick etc.



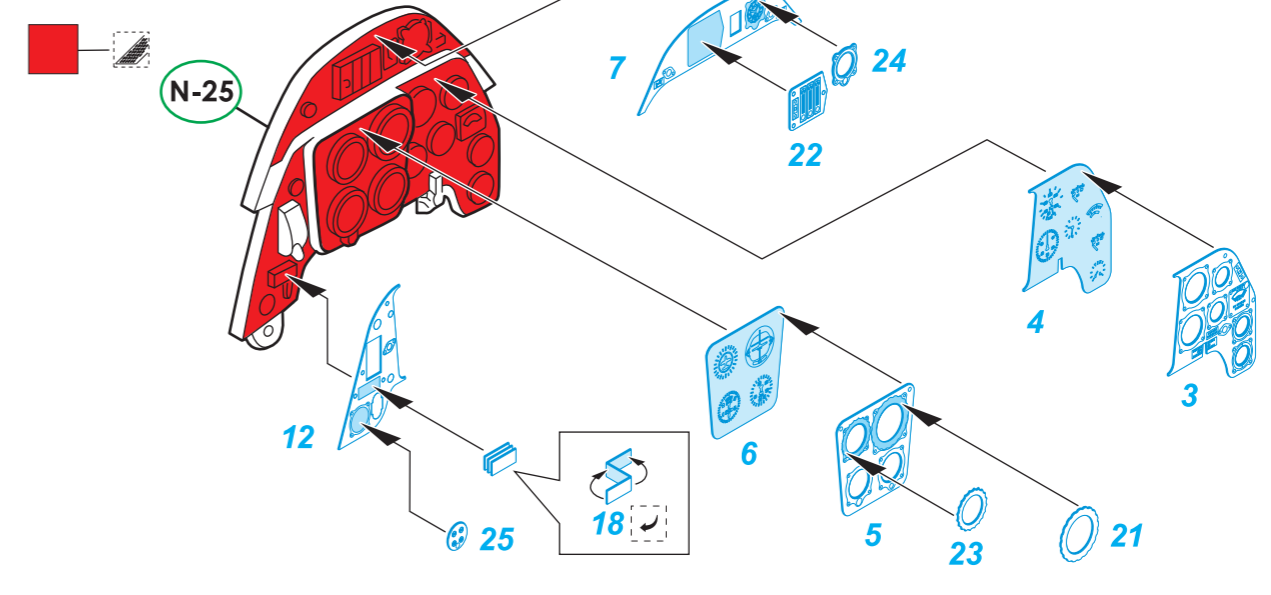
1/32 Bf 109 G-14/U4 Instruction Manual P.18 3-2. B 操縦桿など Control Stick etc.



1/32 Bf 109 G-14/U4 Instruction Manual P.19 3-2. F コックピット右フレーム Cockpit Right Frame



1/32 Bf 109 G-14/U4 Instruction Manual P.21 3-2. J 計器盤 Instrument Panel



#### Case using D-32 for kit besides G-14/U4

