



SUPER WING OPTIONS

1/48 F-4 PHANTOM II

J/S Photo-Etched Set

1/48
「F-4」
For 1/48 "F-4" kit only.

These are photo-etched parts. Please note that these parts cannot be glued with plastic model kit cement. Instant glue should be used instead.

SWS48-04-M03

- Attention!**
- This item is meant for hobbyists 15 years of age or older. Please do not give this item to children under 15.
 - Please use these parts with either the Zoukei-mura 1/48 "F-4 PHANTOM II" J or S type.
 - The polyethylene bags that contain the parts and assembly manual present a suffocation risk. Please do not drop the parts or bend them in unintended ways, as they may be damaged.
 - In order to properly express the shape of the sculptures, it was unavoidable for some parts to have sharp edges. Please be careful not to hurt yourself. Also, please do not give these parts to small children.

◆◆Important Points for Assembly◆◆

- When using these parts, please read carefully the Instruction Manual of the 1/48 "F-4 PHANTOM II" J type kit. If you use this set with the F-4S type, please check the parts prior to assembly. Please prepare the necessary tools for assembly too.
- Please use nippers for etching parts when cutting off the etching parts. Tweezers may also be very useful when handling the parts you cut and attaching them to the kit.
- Please use instant glue for cementing these parts. Please note that these parts cannot be glued with plastic model kit cement. Before painting the parts, please spray a coat of metal primer (otherwise, the paint may peel as time passes).
- The recommended brand for painting your kit is the latest line of acrylic paint from Vallejo Color. Please refer to the Zoukei-mura 1/48 "F-4 PHANTOM II" Instruction Manual and U.S. Forces historical manuals to paint the model with the coloring of your choice.
- Before using tools and paints, please carefully read their instructions manuals and use them safely.

We take the utmost of care when overseeing manufacturing, but if your kit is among the very small percentage that contains a defective part, please contact customer service within two weeks of your purchase with your full name and order number.

Purchasers from VOLKS Japan International Web Site: Please contact imos@volks.co.jp.
Purchasers from VOLKS USA: Please contact service@volksusa.com.

Please note that items which have been opened, or worked with, can't be exchanged. Thank you for your understanding.

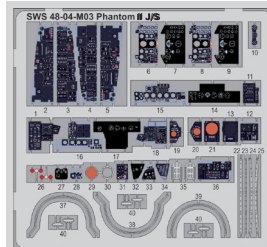


Photo-Etched Parts

Turned Metal Parts

Turned Metal Part Long

Turned Metal Part Short



4 518992 529363

©ZOUKEI-MURA INC. All Rights reserved.

Marks Used in the Instructions

- Do the same for left and right.
- Cut off.
- Bend.
- Make a hole.
- Scrape away.
- Choose one.
- Replace the default part.

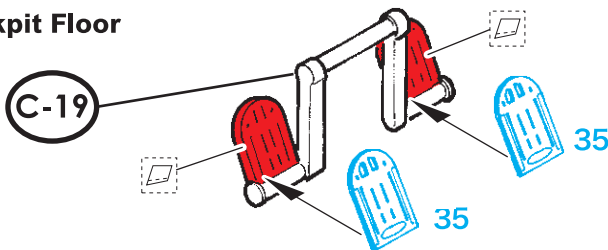
Colors Used in the Instructions

- Parts of the kit.
- Parts of this photo-etched set.
- Cut off this area.
- Turned metal parts.

1/48 F-4
Instruction Manual p.4

002 Cockpit Floor

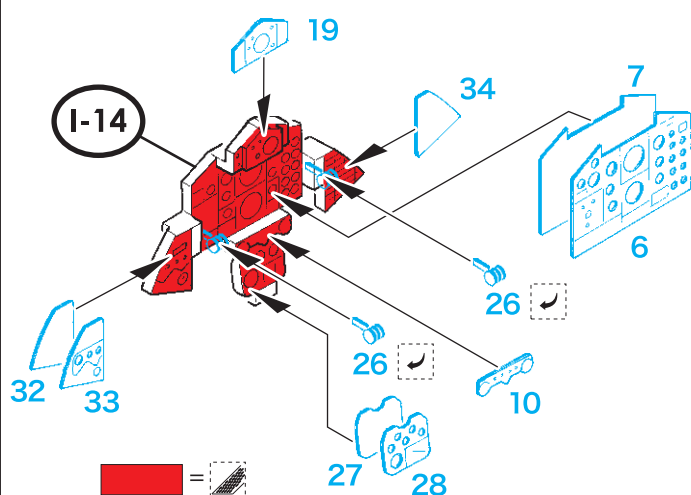
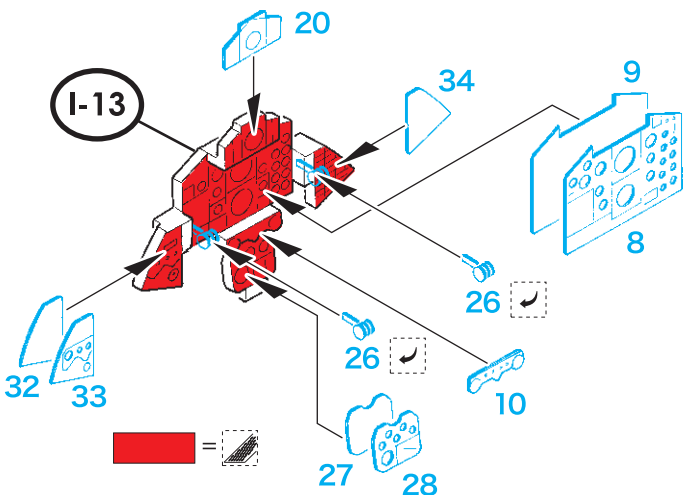
Common to J/S Types



1/48 F-4
Instruction Manual p.5

004 Console

For J Type Assembly ← ? → For S Type Assembly



For J Type Assembly ← ? → For S Type Assembly

