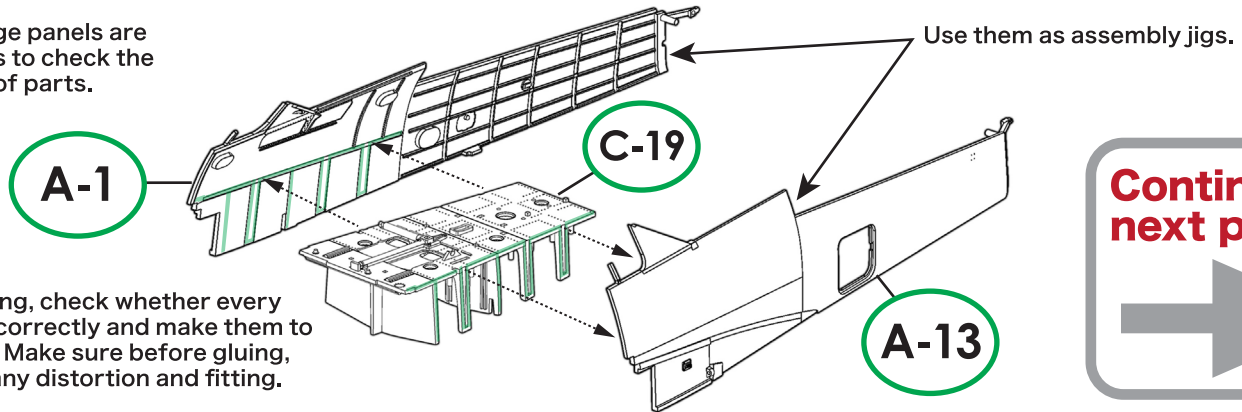


# For beautiful Fw190!!

Tips for more accurate and beautiful for happy modelling!!

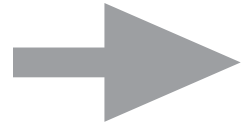
## 1 Cockpit Use the fuselage panels (A-1 and A-13) as assembly jigs to align the cockpit !!

The fuselage panels are perfect jigs to check the alignment of parts.



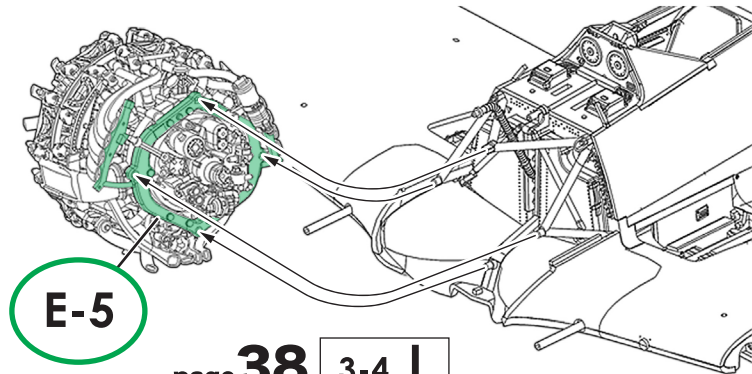
Before gluing, check whether every part leans correctly and make them to be aligned. Make sure before gluing, check for any distortion and fitting.

Continue to next page.

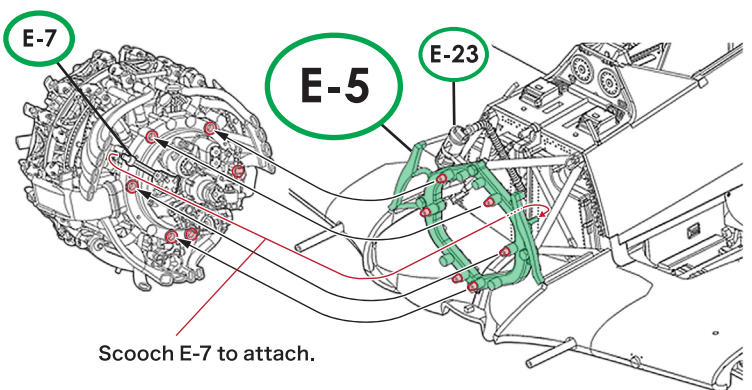


## 2 Engine Mount Choose from either way to attach!!

**A.** Follow the manual, build engine mount ring (E-5) to the engine first.

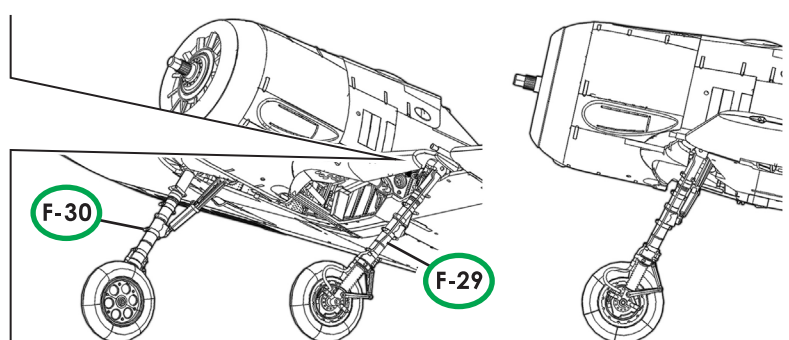
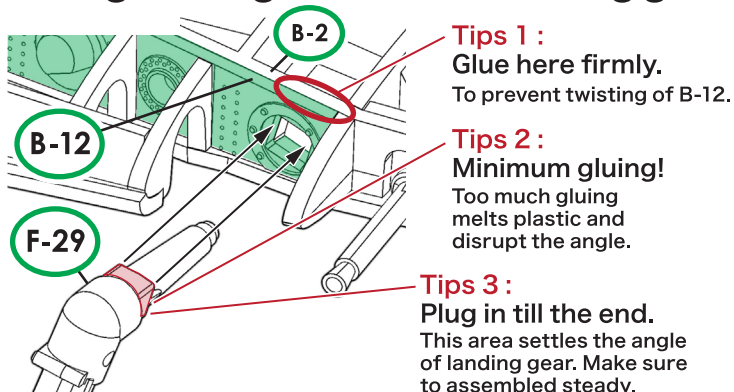


**B.** Install E-5 and E-23 to the fuselage side first, then attach the whole engine.



## 3 Landing Gear Tips for attaching the landing gears!!

Enlarged image of the left landing gear.



Check the angle of both legs after gluing. It may cause displacement. Make sure the angle and position. Please leave them still until completely dry.