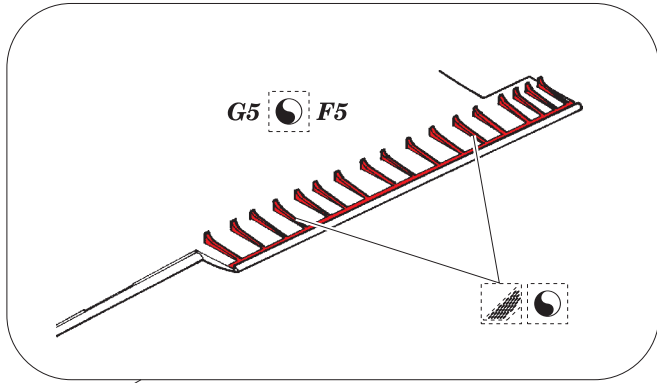
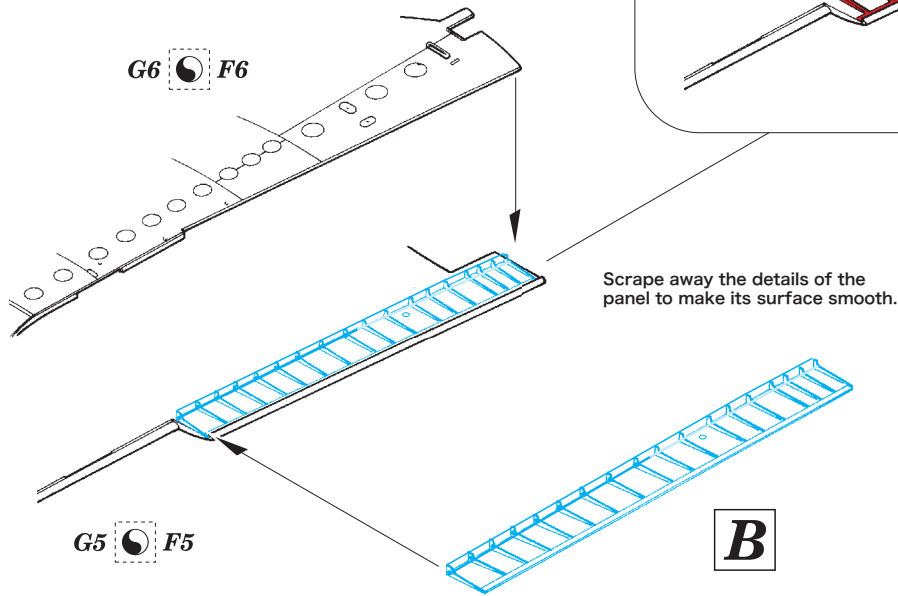


# Main Wings Assembly

1/32 Ta 152 H-1  
Instruction  
Manual **p18**



# Flaps Attachment

1/32 Ta 152 H-1  
Instruction  
Manual **p19**

