

### Attention!

- This item is meant for hobbyists 15 years of age or older. Please do not give this item to children under 15.
- This item is intended for use with the Zoukei-mura 1/32 "Ta 152H-1".
- The polyethylene bags that contain the parts and assembly manual present a suffocation risk. Please do not drop the parts or bend them in unintended ways, as they may be damaged.
- In order to properly express the shape of the sculpt, it was unavoidable for some parts to have sharp edges. Please be careful.

**SUPER WING SERIES.**  
1/32  
**"Ta 152 H-1"**  
These are extra parts to be used with the "Ta 152 H-1" kit.

**造形村**  
ZOUKEI-MURA INC.  
http://www.zoukeimura.co.jp/  
● Manufacturer : Zoukei-Mura, Inc.  
● Distributor : VOLKS, Inc.  
http://www.volks.co.jp/en/  
600 Gokurakuchi Nakamachi Shichi-jo, Shimogyo-ku, Kyoto Japan 600-8862

## SUPER WING OPTIONS

ZOUKEI-MURA INC. PRESENTS SUPER WING SERIES. No.02

1/32 FOCKE-WULF [SWS02-M05]



## Metal Struts

**SUPER WING SERIES.**  
1/32  
**"Ta 152 H-1"**  
These are extra parts to be used with the "Ta 152 H-1" kit.

These parts are made of white metal. Please be careful during assembly.

Plastic model cement won't work on these parts. Please use a suitable instant glue.



©ZOUKEI-MURA INC. All rights reserved.

**SUPER WING OPTIONS**  
1/32 FOCKE-WULF [SWS02-M05]  
**1/32 "Ta 152 H-1"**  
These are extra parts to be used with the "Ta 152 H-1" kit.

**Metal Struts**  
4 518992 503363

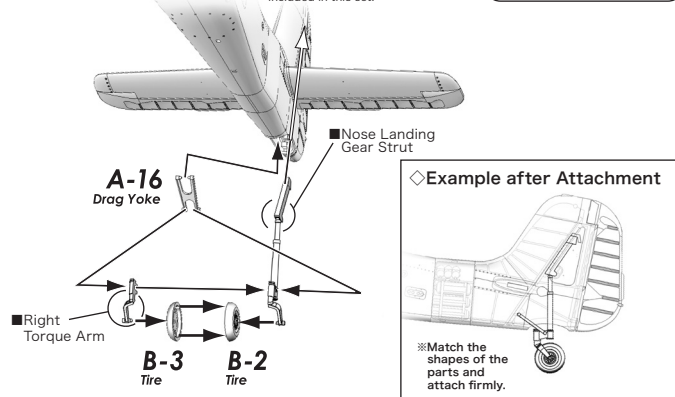
## Metal Struts Assembly Instructions

These parts will be inserted when assembling the 1/32 "Ta 152 H-1" kit. Please refer to the instruction manual of the 1/32 "Ta 152 H-1".

### ◆ Nose Landing Gear Assembly

When assembling the 1/32 "Ta 152 H-1", replace parts A-2 and A-17 with the nose landing gear part included in this set.

1/32 Ta 152 H-1  
Instruction Manual  
**P23**

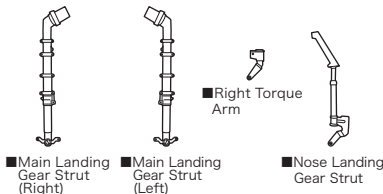


### ◆◆ Important Points for Assembly ◆◆

- Please carefully read the assembly manual prior to opening and make sure that everything is included.
- To use this item, please refer to the assembly manual of the 1/32 "Ta 152 H-1" kit as well.
- To use this item, tools such as ●nippers, ●craft knife, ●files, ●sanding papers, ●instant glue, ●metal primer spray, etc. are required, so please prepare them.
- These parts are made of white metal and will need to be prepared before use. You can remove gear marks with a large nipper and remove any excess with a craft knife. Then, finish with sanding papers. It may damage the blades if you use a fine nipper, so please be careful. For the seam lines, scrape them off with a knife and then finish with sanding papers. Please be careful not to damage the parts while you are working on them.
- Instant glue should be used for these parts. Please note that they cannot be glued with a plastic model kit cement.
- Spray metal primer to finish the base before painting.
- The recommended brand for painting your kit is the environment-friendly latest line of paint from Vallejo Color. Please refer to the Zoukei-mura 1/32 "Ta 152 H-1" Instruction Manual and Luftwaffe historical manuals to paint the model with the coloring of your choice.

※When it comes time to use tools and paints, please carefully follow the individual instructions respective to each tool for your safety.

### Chart of Included Parts



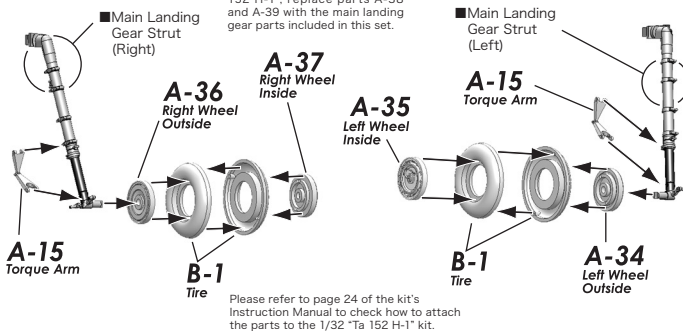
We take the utmost of care when overseeing manufacturing, but if your kit is among the very small percentage that contains a defective part, please contact customer service within two weeks of your purchase with your full name and order number.

**Purchasers from VOLKS Japan International Web Site:**  
Please contact [imos@volks.co.jp](mailto:imos@volks.co.jp).  
**Purchasers from VOLKS USA:**  
Please contact [service@volksusa.com](mailto:service@volksusa.com).

### ◆ Main Landing Gears Assembly

When assembling the 1/32 "Ta 152 H-1", replace parts A-38 and A-39 with the main landing gear parts included in this set.

1/32 Ta 152 H-1  
Instruction Manual  
**P24**



Please refer to page 24 of the kit's Instruction Manual to check how to attach the parts to the 1/32 "Ta 152 H-1" kit.

When using the weighted tires parts (sold separately), the accuracy of the kit increases considerably.