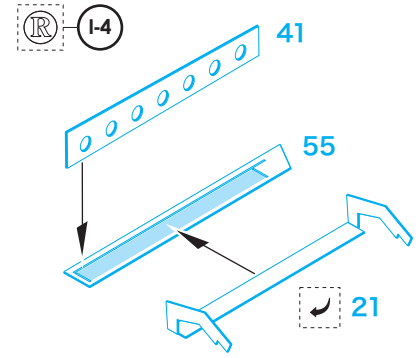
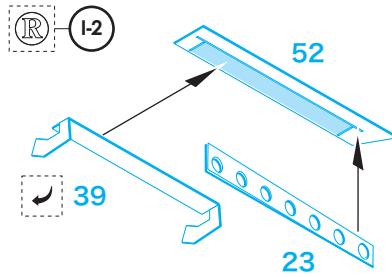
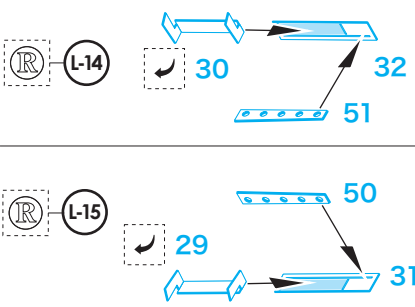


1/32Ho 229
Instruction Manual
P.38

3-6. G
Drag Rudder (Left)

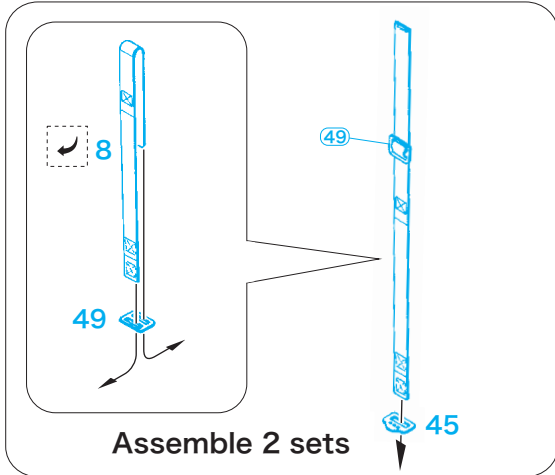


1/32Ho 229
Instruction Manual
P.41

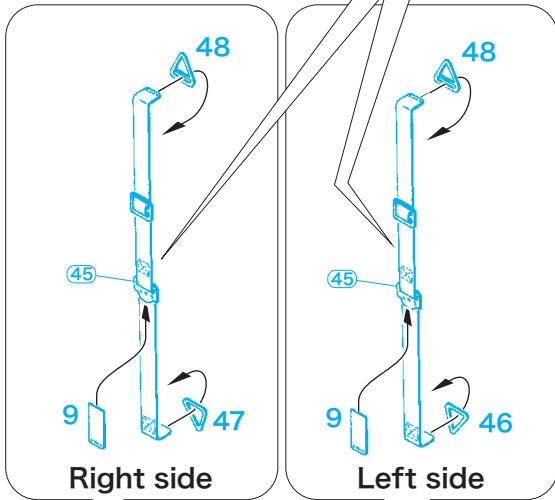
3-7. D
Ejection Seat

Seat Belts Assembly and Attachment

Lateral Seat Belts Assembly and Attachment



Assemble 2 sets

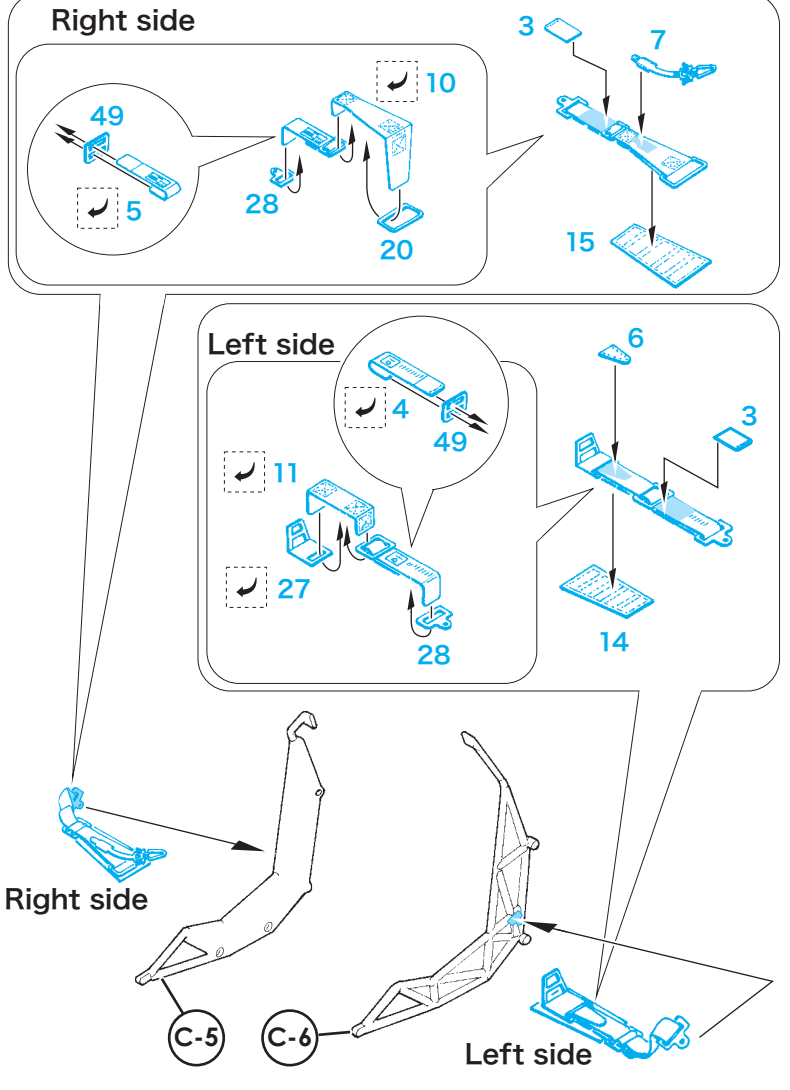
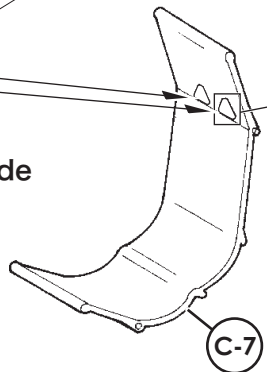


Right side

Left side

Right side

Left side



How to Attach the Seat Belts to the Seat

90°

26

Left side

Before attaching the seat belts, drill a hole from 0.2 to 0.5mm in diameter, then insert the photo-etched part 26 and glue its bottom side.