

▲WARNING: Read Carefully

- For ages 15 and up.
- Read all instructions before use. Only use as instructed.
- Contains small and sharp parts. Do not swallow and be careful of injury.
- Keep out of reach of small children.
- Plastic bags may cause suffocation. Do not use them to cover your head or face.
- This product is delicate. To avoid breakage, do not forcibly bend, drop, or apply too much pressure.
- The outer packaging may be damaged during transport.
- Keep the instructions. Please contact our Customer Service Center if you have any questions or concerns.

- This assembly kit is made of turned metal, and resin.
- Assembly requires nippers, precision knives, super glue, and paint.



SUPER WING OPTIONS
Horten

Ho 229 B

Turned Metal Machine Gun and Pitot Tube Set

1/32

For Horten Ho 229 B



創作成形©造形材/ボークス ©VOLKS INC.



SWS24-M01

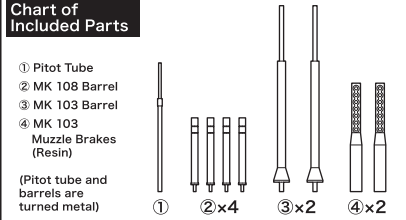


4 518992 233390

<https://www.zoukeimura.co.jp/>
 Plan & Manufacturer: Zoukei-Mura
 Distributor: VOLKS, DELL
 Importer: VOLKS USA, Inc.
 Purchasers from VOLKS: Japan International Web Site: www.volksusa.com
 Purchasers from VOLKS USA: Please contact service@volksusa.com

- ◆◆ Important Points for Assembly ◆◆**
- Before opening the bag, please carefully read this instruction manual and verify that all the parts are included. Please also refer to the ZOUKEI-MURA SWS 1/32 "Ho 229 B" Instruction Manual to use these parts.
 - You will need a pin vice with a 1.0mm drill bit to assemble these parts. Please see p. 6 of the kit's manual.
 - This set replaces the machine gun and pitot tube plastic parts used in the ZOUKEI-MURA SWS 1/32 "Ho 229 B" with turned metal and resin parts. Please read these instructions as well as the kit's manual before assembling with your 1/32 "Ho 229 B" kit.
 - To affix the parts of the kit, please use instant glue. Please do not use glue dedicated to plastic models. Before painting, make a primer coat using the Metal Primer. (Without primer coat, paint may peel.)
 - The recommended brand for painting your kit is the latest line of acrylic paint from Vallejo Color. Please refer to the ZOUKEI-MURA SWS 1/32 "Ho 229 B" Instruction Manual and Luftwaffe historical manuals to paint the model with the coloring of your choice.
 - Zoukei-Mura 1/32 "Ho 229 B" can be built as two-seater (Ho 229 B) or single-seater (V3). This kit is compatible with both types. (MG 108 barrels are not used for the V3 type.)
- ※When it comes time to use tools and paints, please carefully follow the individual instructions respective to each tool for your safety.

Chart of Included Parts



① Pitot Tube
 ② MK 108 Barrel
 ③ MK 103 Barrel
 ④ MK 103 Muzzle Brakes (Resin)

(Pitot tube and barrels are turned metal)

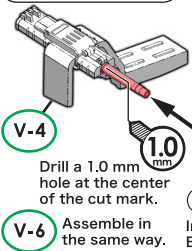
We take the utmost of care when overseeing manufacturing, but if your kit is among the very small percentage that contains a defective part, please contact customer service within two weeks of your purchase with your full name and order number.

Purchasers from VOLKS
 Japan International Web Site:
 Please contact imos@volks.co.jp.
 Purchasers from VOLKS USA:
 Please contact service@volksusa.com.

Assembly Instructions These parts will be inserted when assembling the SWS 1/32 "Ho 229 B" kit.

1/32 Ho 229 B Instruction Manual p.18

3-2. F MK 108 機関砲(右側)
MK 108 Machine Cannons (Right)



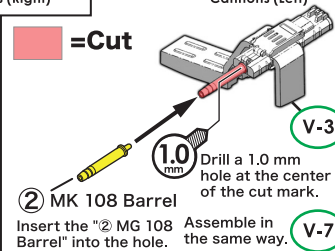
V-4 Drill a 1.0 mm hole at the center of the cut mark.

V-6 Assemble in the same way.

② MK 108 Barrel

Insert the "② MG 108 Barrel" into the hole.

3-2. G MK 108 機関砲(左側)
MK 108 Machine Cannons (Left)



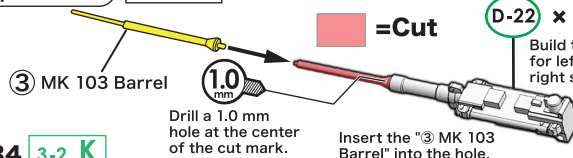
V-3 Drill a 1.0 mm hole at the center of the cut mark.

V-7 Assemble in the same way.

② MK 108 Barrel

Insert the "② MG 108 Barrel" into the hole.

3-2. N MK 103 機関砲
MK 103 Cannons



D-22 x 2 Build two sets for left and right sides.

③ MK 103 Barrel

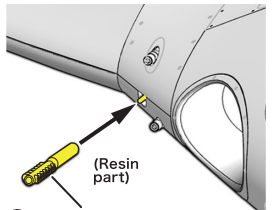
Drill a 1.0 mm hole at the center of the cut mark.

Insert the "③ MK 103 Barrel" into the hole.

1/32 Ho 229 B Instruction Manual p.70

3-7. G 航法灯とピトー管など
Navigation Light, Pitot Tube, etc

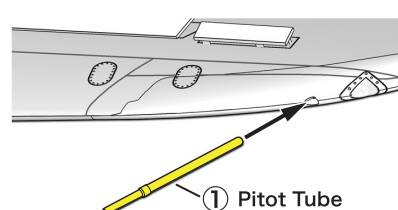
V3 P.34 3-2. K



V-28 Use this in place of V-28.Repeat the same way on the left side. Refer to the kit's instruction manual for exact placement.

④ MK 103 Muzzle Brake

V3 P.77 3-7. G



L-13 Replace the default part.

① Pitot Tube