

SUPER WING OPTIONS

1/48 No.1

J7W1 震電 SHINDEN Imperial Japanese Navy Interceptor J7W1 帝国海軍局地戦闘機

Photo-Etched Set

ZOUKEI-MURA INC. PRESENTS
SUPER WING SERIES
1/48 SHINDEN
These are extra parts to be used with the "J7W1 SHINDEN" kit.

These are etched parts. Please note that these parts cannot be glued with plastic model kit cement. Instant glue should be used instead.

SWS48-01-M03

Attention!

- This item is meant for hobbyists 15 years of age or older. Please do not give this item to children under 15.
- This item is intended for use with the Zoukei-mura 1/48 "J7W1 SHINDEN".
- The polyethylene bags that contain the parts and assembly manual present a suffocation risk. Please do not drop the parts or bend them in unintended ways, as they may be damaged.
- In order to properly express the shape of the items, it was unavoidable for some parts to have sharp edges. Please be careful. Also, please make sure not to leave them in the reach of small children.

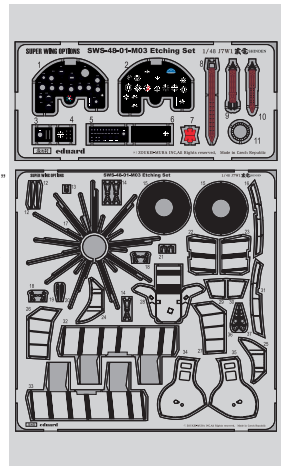
Plan & Design : Zoukei-Mura, Inc. Manufacturer : Eduard
Distributor : VOLKS, Inc. <http://www.volks.co.jp/en/index.aspx>
60 Goshonouchi Nakamachi Shichi-jo, Shimogyo-ku, Kyoto Japan 600-8862

Notices Before Assembly

For use of this part, please refer to the instruction manual of the 1/48 "J7W1 SHINDEN" and prepare the required tools.
Please use nippers for etching parts when cutting off the etching parts. Tweezers may also be very useful when handling the parts you cut and attaching them to the kit.
To affix the parts of the kit, please use an instant glue. Please do not use glue dedicated to plastic models. Before painting, make a primer coat using a Metal Primer. (Without primer coat, paint may peel.)
The recommended brand for painting your kit is the latest line of paint from Vallejo Color, due to its non-toxicity and environmental friendliness. While referring to resources on historical Luftwaffe aircrafts, please check the instruction manual of 1/48 "J7W1 SHINDEN."
Please use caution when handling the tools and solvents used for assembly and painting by referring to their instruction manuals.

We take the utmost of care when overseeing manufacturing, but if your kit is among the very small percentage that contains a defective part, please contact customer service within two weeks of your purchase with your full name and order number.
Purchasers from VOLKS Japan International Web Site:
Please contact imos@volks.co.jp.
Purchasers from VOLKS USA : Please contact service@volksusa.com.

Please note that items which have been opened, or worked with, can't be exchanged. Thank you for your understanding.



©ZOUKEI-MURA INC. All Rights reserved. Made in Czech Republic

Marks Used in the Instructions

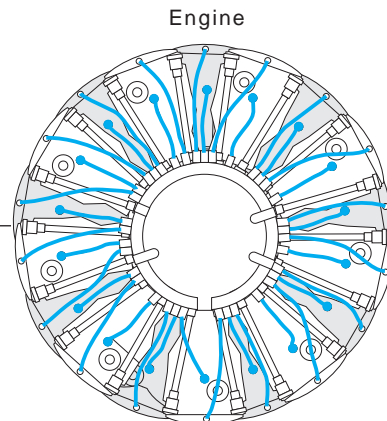
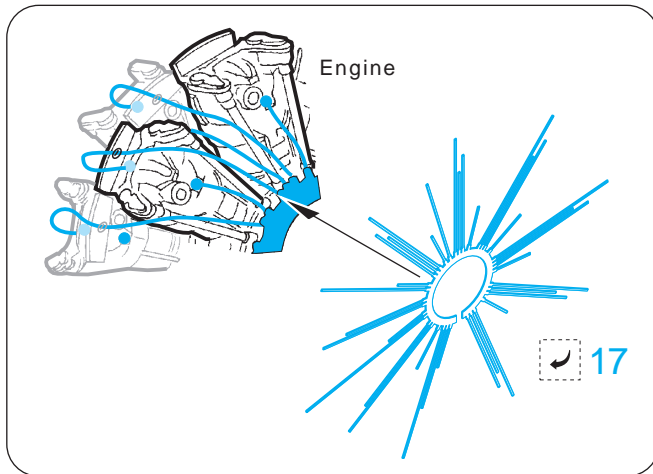
- Do the same for left and right.
- Cut off.
- Bend.
- Choose one.
- Make a hole.
- Scrape away.
- Replace the default part.

Colors Used in the Instructions

- Parts of the kit.
- Parts of this Photo-Etched Set.
- Cut off this area.
- Fill this opening with a putty, or similar.

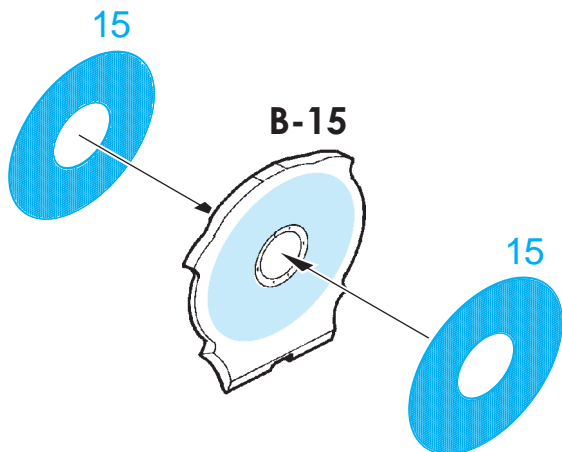
1/48 J7W1 SHINDEN
Instruction Manual P.4

001 エンジン-1.
Engine-1.



1/48 J7W1 SHINDEN
Instruction Manual P.5

004 エンジン-4.
Engine-4.



1/48 J7W1 SHINDEN
Instruction Manual P.5

005 操縦席右側面
Cockpit Starboard Side

